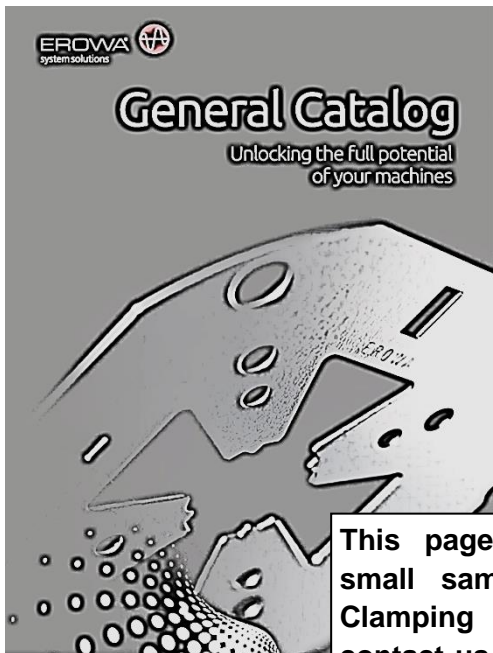


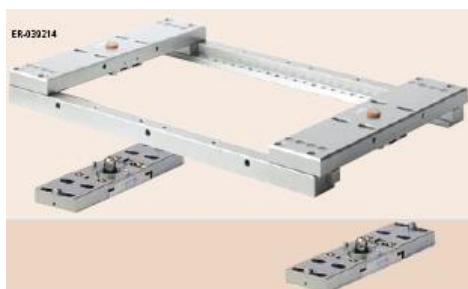
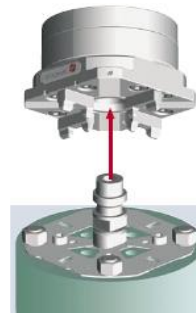
CLAMPING SYSTEMS

- Clamping system EROWA
- Clamping system SYSTEM 3R
- Clamping system ELERO for EDM wire cutters - WEDM at affordable prices
- Clamping system ELERO for electrode production for die-sinking EDM – palletisation compatible with EROWA
- Clamping system ELERO for electrode production for die-sinking EDM – palletisation compatible with 3-R

EROWA is the most widely used clamping system in the world.



This page shows a very small sample of EROWA Clamping Systems. Please contact us for full details of their full range.



CLAMPING SYSTEM ELERO FOR DIE-SINKING EDM, PALLETISATION COMPATIBLE WITH 3-R

Clamping systems compatible with 3-R

The following components of the palletisation clamping system enable the material for the electrode (copper, graphite etc.) to be clamped directly into the pallet or into the collet chuck holder. The material can then be machined in a machining centre, milling machine, lathe, grinding machine or EDM wire cutter etc. The finished product (the electrode), whilst still clamped into pallet or collet chuck holder, can now be clamped directly to the EDM die-sinker without the need for further adjustment of the electrode. Repeatable accuracy for the positioning of the pallets or collet chuck holders into the clamping chucks is 0,002mm.

Clamping pallets Uniholder stainless steel, with transversal groove

Item No.:

EL-3M0015-1	Clamping pallets U10 stainless steel, groove width 10,5mm
EL-3M0015	Clamping pallets U15 stainless steel, groove width 15,5mm
EL-3M0016	Clamping pallets U20 stainless steel, groove width 20,5mm
EL-3M0017	Clamping pallets U25 stainless steel, groove width 25,5mm
EL-3M0018	Clamping pallets U30 stainless steel, groove width 30,5mm
EL-3M00181	Clamping pallets U30 stainless steel, groove width 35,5mm
EL-3M00182	Clamping pallets U30 stainless steel, groove width 40,5mm
EL-3M00183	Clamping pallets U30 stainless steel, groove width 45,5mm
EL-3M00184	Clamping pallets U30 stainless steel, groove width 50,5mm



Different sizes of clamping groove: 10,5mm, 15,5mm, 20,5mm, 25,5mm, 30,5mm, 35,5mm, 40,5mm, 45,5mm, 50,5mm

Clamping pallets Prisround stainless steel, with hole

Item No.:

EL-3M0019-1	Clamping pallets S10 stainless steel, with hole 11,5x11,5mm
EL-3M0019	Clamping pallets S15 stainless steel, with hole 16,5x16,5mm
EL-3M0020	Clamping pallets S20 stainless steel, with hole 21,5x21,5mm
EL-3M0021	Clamping pallets S25 stainless steel, with hole 26,5x26,5mm
EL-3M0022	Clamping pallets S30 stainless steel, with hole 31,5x31,5mm

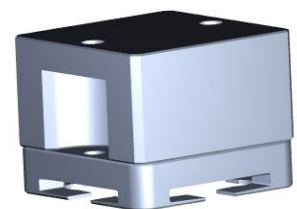


Different dimensions of clamping holes: 11,5x11,5, 16,5x16,5, 21,5x21,5, 26,5x26,5, 31,5x31,5mm

Clamping pallets Uniplate, flat

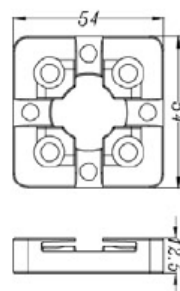
Item No.:

EL-3M0051	Clamping pallet 51x51mm stainless steel, flat
EL-3M0081	Clamping pallet 81x51mm stainless steel, flat
EL-3M0092	Clamping pallet 92x150mm stainless steel, flat

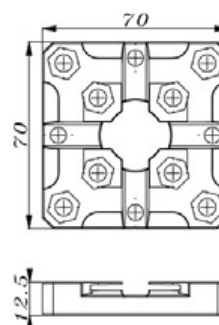
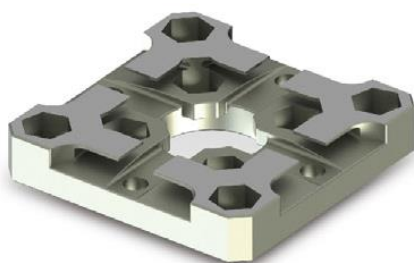


Clamping systems compatible with 3-R

Item No.: EL-3M0001
Clamping pallet 54x54mm stainless steel, flat



Item No.: EL-3M0002
Clamping pallet 70x70mm stainless steel, flat



Item No.: EL-3M0001/S
Spacer for pallet 54x54mm



Item No.: EL-3M0002/30
Clamping pallet 70x70x30mm stainless, flat

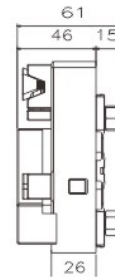
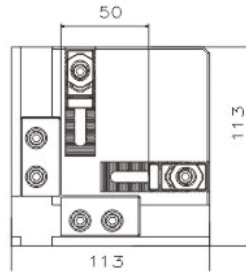
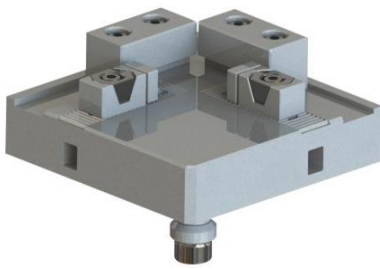


Item No.: EL-3M0051/A
Clamping pallet aluminium, flat

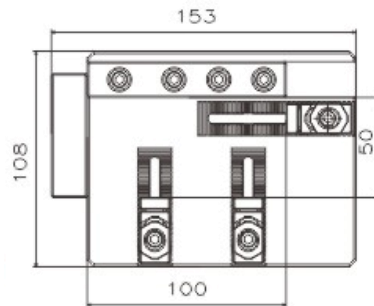
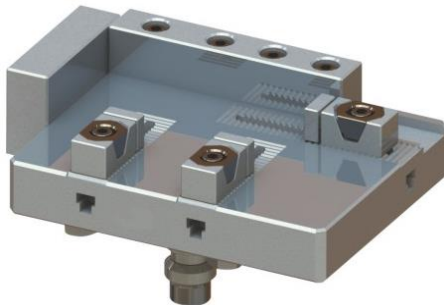


Clamping systems compatible with 3-R

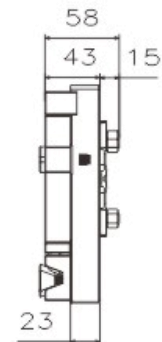
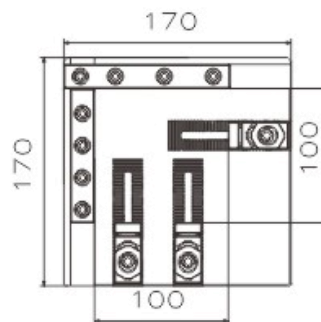
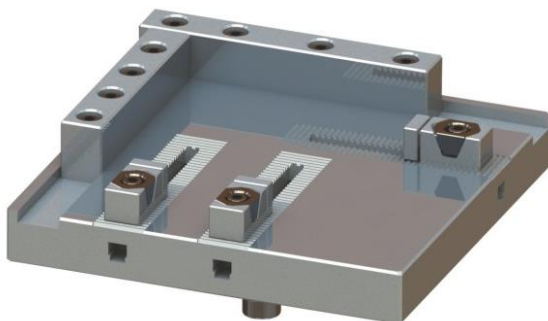
Item No.: EL-3MV0008 Universal stainless adjustable holder 20x20mm~50x50mm



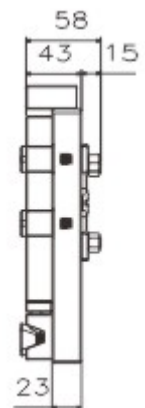
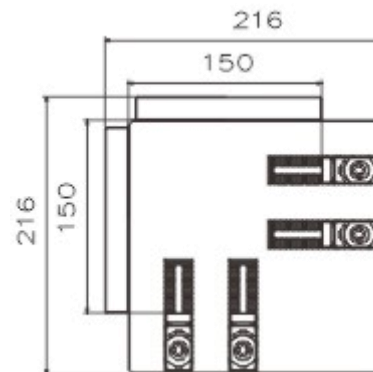
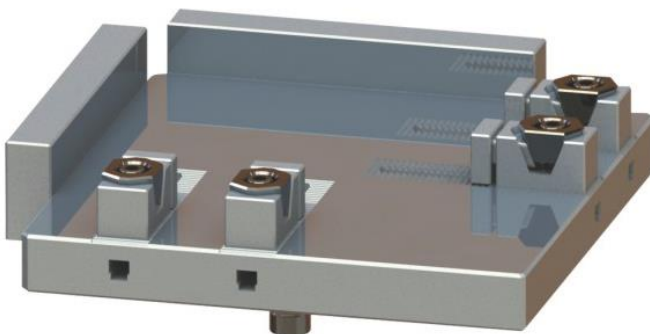
Item No.: EL-3MV0009 Universal stainless adjustable holder 25x50mm~50x100mm



Item No.: EL-3MV0010 Universal stainless adjustable holder 50x50mm~100x100mm

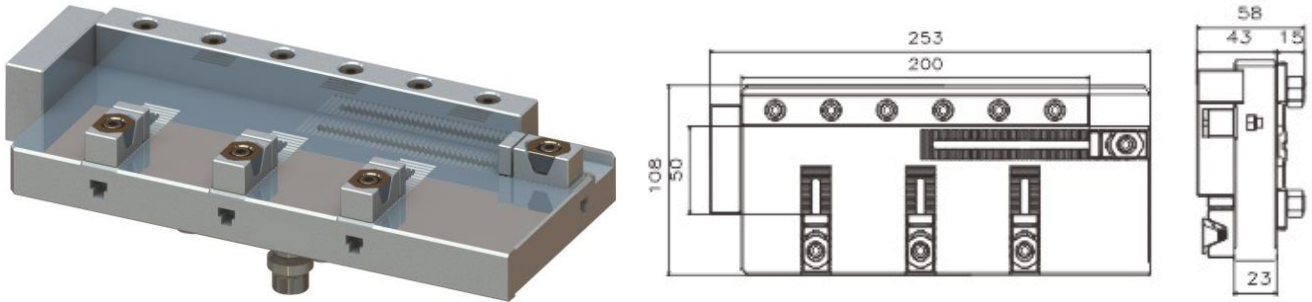


Item No.: EL-3MV0011 Universal stainless adjustable holder 100x100mm~150x150mm

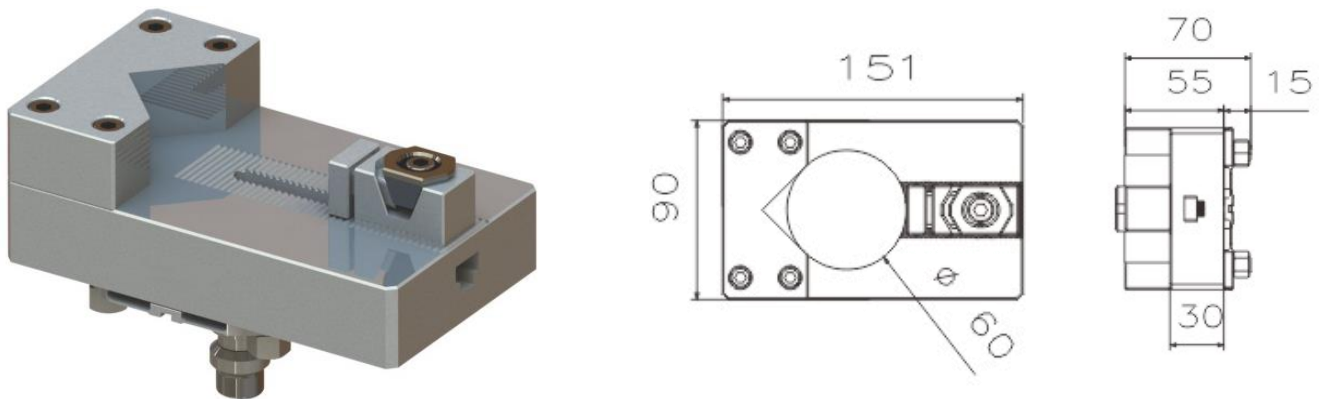


Clamping systems compatible with 3-R

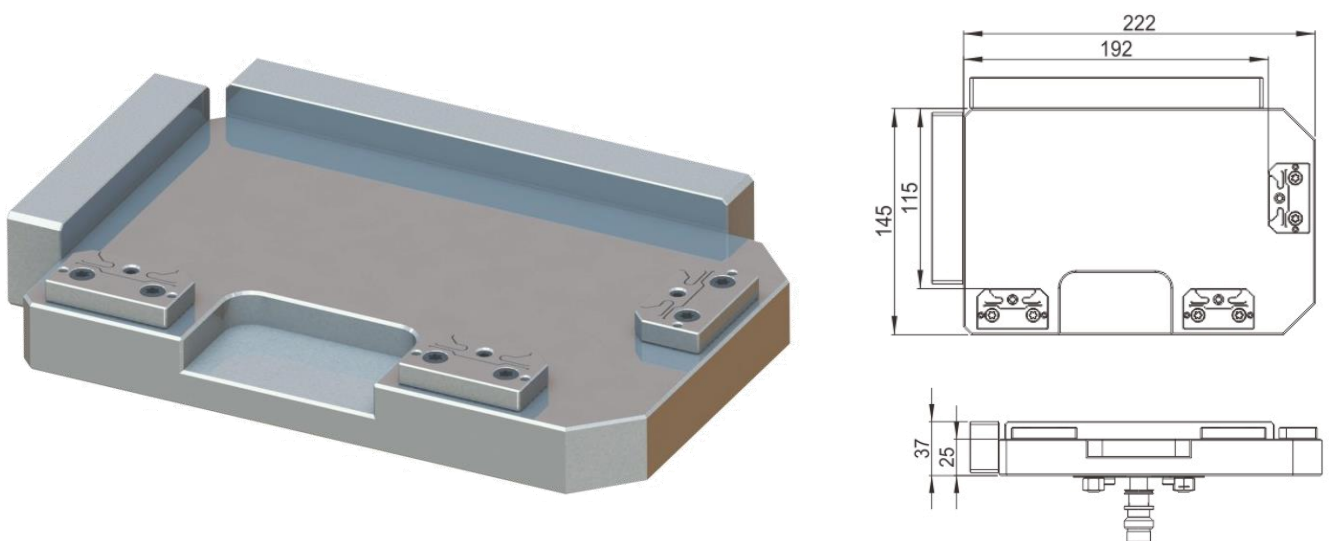
Item No.: EL-3MV0012 Universal stainless adjustable holder 25x100mm~50x200mm



Item No.: EL-3MV0013 Universal adjustable stainless prism holder $\varnothing 20\sim 60$ mm

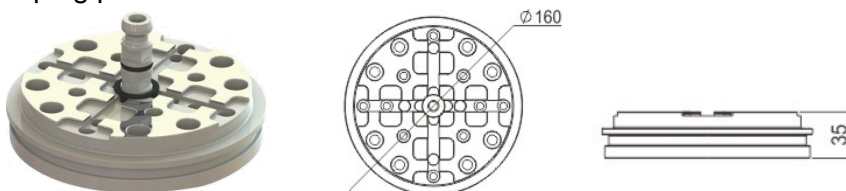


Item No.: EL-3MV0014 Universal stainless holder 222x145x37mm



Clamping systems compatible with 3-R

Item No.: EL-3M0049 Stainless clamping pallet D160mm



Item No.: EL-3M0003

Manual spigot, short

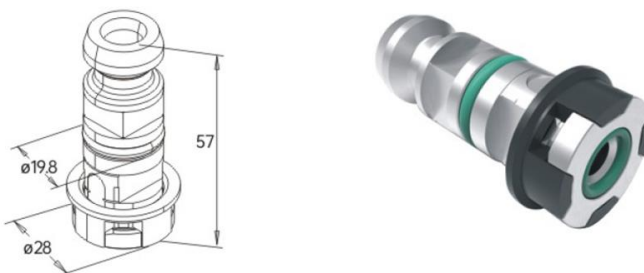
Spigot for manual chucks with internal flushing hole. Individually packaged.



Item No.: EL-3M0004

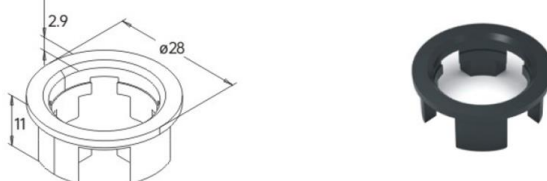
Automatic spigot, long

Spigot for pneumatic chucks, suitable also for automatic exchange, with internal flushing hole. Individually packaged.



Item No.: EL-3M0005

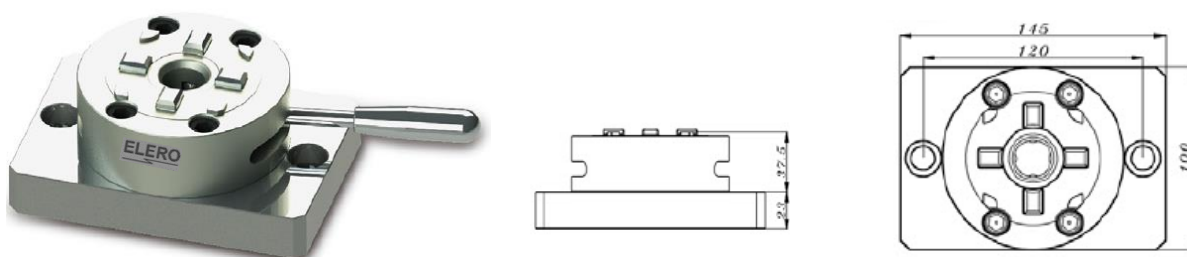
Plastic part of spigots EL-3M0003 and EL-3M0004



Item No.: EL-3M0037

Manual quick chuck D100 with base, clamping power 10 000N.

Suitable for milling machines, machining centre, grinding machines, EDM wire cutters or EDM die-sinking machines...

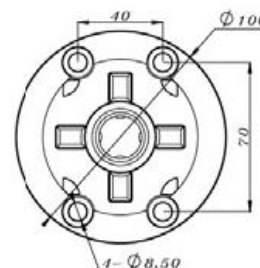


Clamping systems compatible with 3-R

Item No.: EL-3M0036

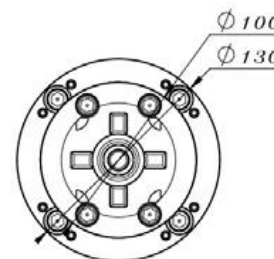
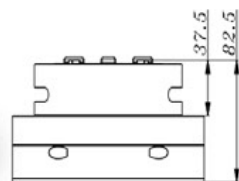
Manual quick chuck D100, clamping power 10 000N.

Suitable for lathe, milling machines, machining centre, grinding machines, EDM wire cutters or EDM die-sinking machines...



Item No.: EL-3M0038

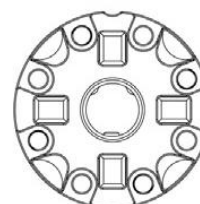
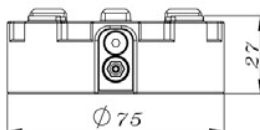
Manual quick chuck D100, clamping power 10 000N.



Item No.: EL-3M0033

D75 manual chuck, clamping power 10 000N.

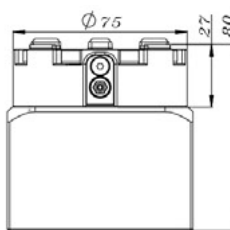
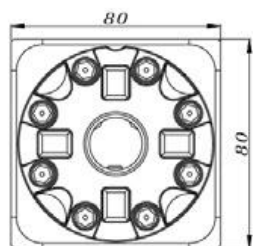
Suitable for lathe, milling machines, machining centre, grinding machines, EDM wire cutters or EDM die-sinking machines...



Item No.: EL-3M0034

D75 Manual chuck, clamping power 6000N.

Suitable for milling machines and machining centre



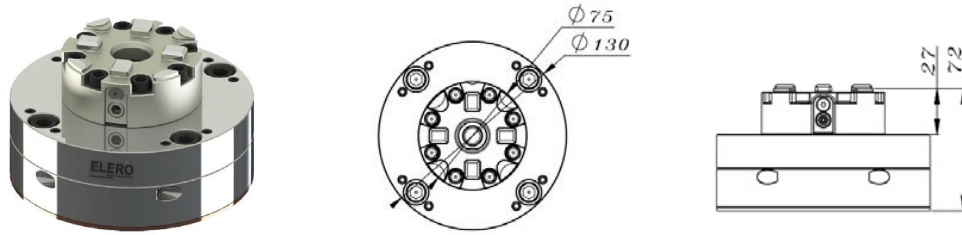
Item No.EL-3M0034-1

Manual square quick chuck
 70x70mm, cl.power 6000N

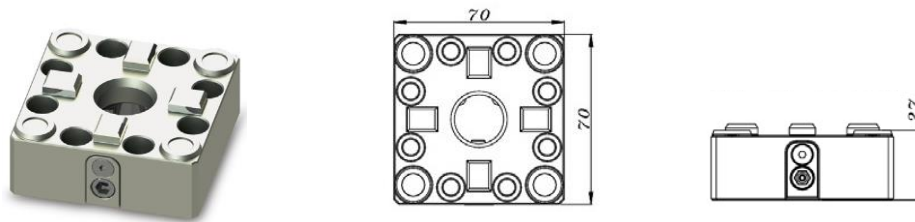


Clamping systems compatible with 3-R

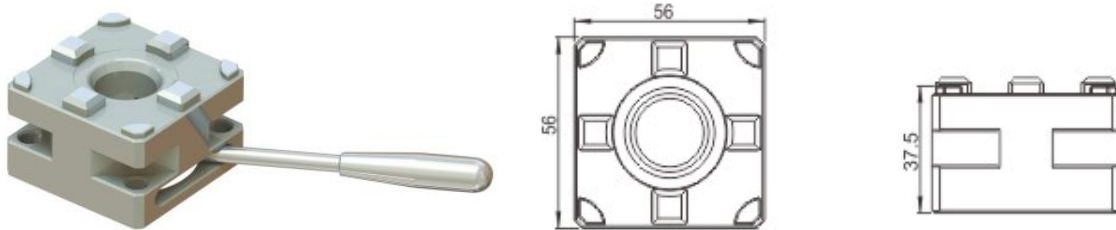
Item No.: EL-3M0035 D75 Manual chuck, clamping power 6000N.



Item No.: EL-3M0046 70mm square manual chuck, clamping power 6000N.

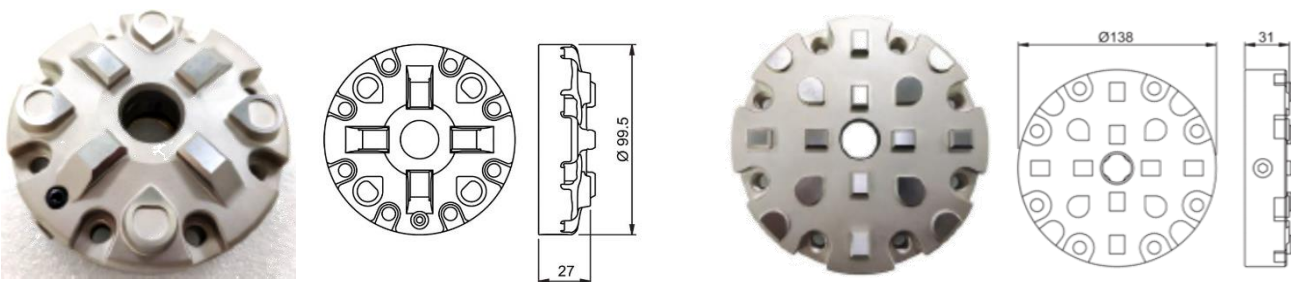


Item No.: EL-3M0036A 56x56mm square manual quick chuck, clamping power 4000N.

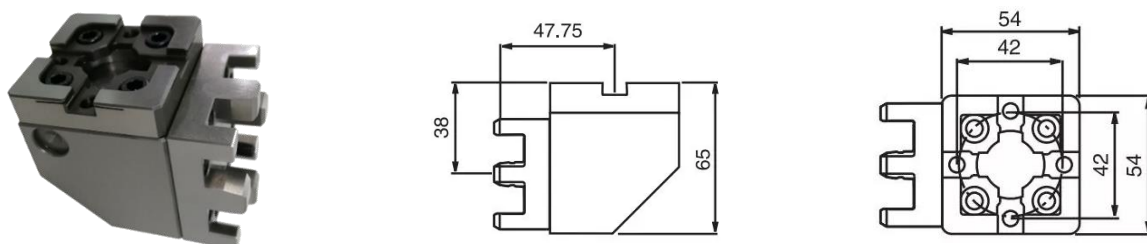


Item No.: EL-3M0033-1
 Low profile manual quick chuck D100

Item No.: EL-3M0033-2
 Low profile manual chuck D140



Item No.: EL-3M0054A 90° adaptor



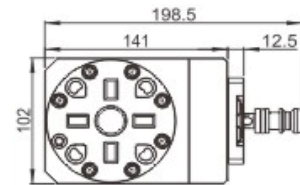
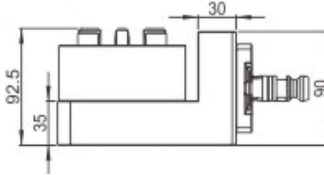
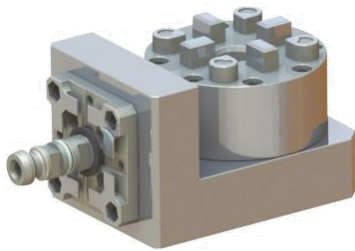
Clamping systems compatible with 3-R

Item No.: EL-3M0054B 90° adaptor with manual square quick chuck



Item No.: EL-3M0050 90° adaptor with pneumatic clamping chuck D100

Item No.: EL-3M0054 90° adaptor with manual clamping chuck D100



Item No.: EL-3M0046B Manual quick chuck on extension rod



Item No.: EL-3M0036/100
Manual quick chuck
on extension rod 100mm



Item No.: EL-3M0036/200
Manual quick chuck
on extension rod 200mm



Item No.: EL-3M0036B/250
Manual quick chuck
on extension rod 250mm



Clamping systems compatible with 3-R

Item No.: EL-3M0046/150
Manual quick chuck on extension rod 150mm



Item No.: EL-3M0046/250
Manual quick chuck
on extension rod 250mm



Item No.: EL-3M0036/300
Manual quick chuck
on extension rod 300mm

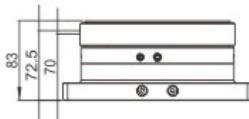
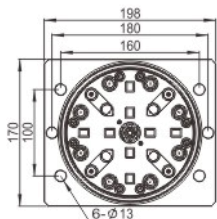


Item No.: EL-3M0036/90°
Manual quick chuck on 90° arm



Clamping systems compatible with 3-R

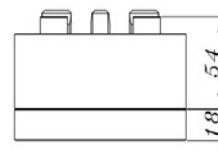
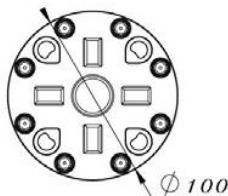
Item No.: EL-3M0048
 Pneumatic clamping chuck D160
 with base, clamping power 15 000N.



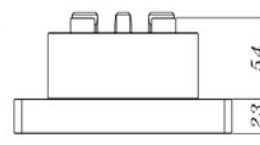
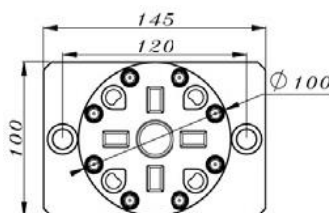
Item No.: EL-3M0048-1
 Low profile pneumatic clamping chuck D160
 with base, clamping power 15 000N.



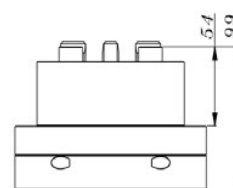
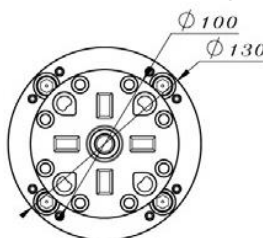
Item No.: EL-3M0039 Pneumatic chuck D100, clamping power 10 000N.



Item No.: EL-3M0040 Pneumatic chuck D100 with base, clamping power 10 000N.



Item No.: EL-3M0041 Pneumatic chuck D100 with base, clamping power 10 000N.

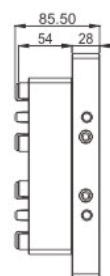
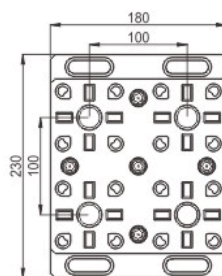
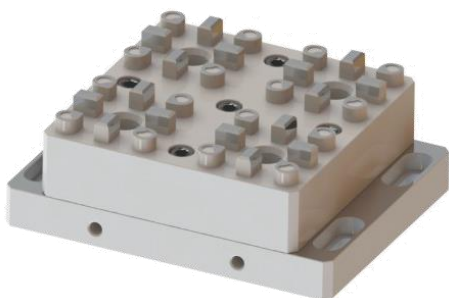


Clamping systems compatible with 3-R

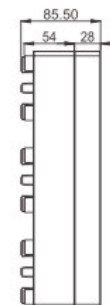
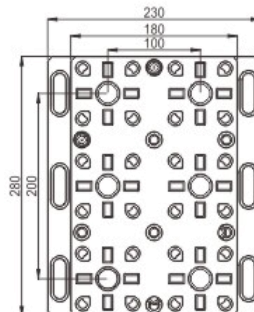
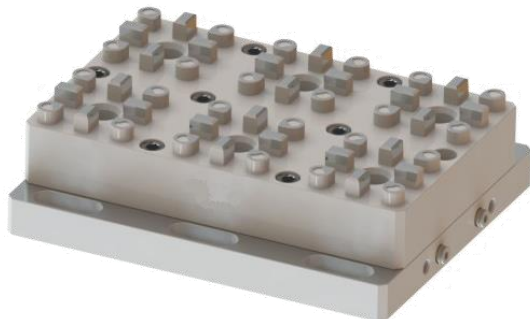
Item No.: EL-3M0041-1 Pneumatic clamping chuck D100
 with base, clamping power 10 000N.



Item No.: EL-3M0051 Workholding plate with 4 pneumatic chucks, clamping power 10 000N



Item No.: EL-3M0052 Workholding plate with 6 pneumatic chucks, clamping power 10 000N



Item No.: EL-Q0017
 Pneumatic switch
 for chucks control
 (EDM type)



Item No.: EL-Q0018
 Pneumatic switch
 for chucks control
 (CNC type)



Item No.: EL-Q0020 Pneumatic regulator

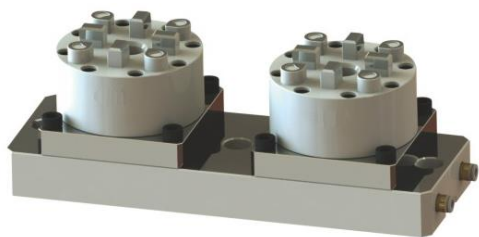


Item No.: EL-Q0019 Pneumatic hose



Clamping systems compatible with 3-R

Workholding plates with multiple pneumatic chucks, clamping power 10 000N.



Item No.:	Model	Dimens. mm	Control
EL-3M0042	Workholding plate with 2 pneumatic chucks D100	300x102x105	2 chucks / 1 switch
EL-3M0043	Workholding plate with 3 pneumatic chucks D100	460x102x105	3 chucks / 1 switch
EL-3M0044	Workholding plate with 4 pneumatic chucks D100	330x290x105	4 chucks / 2 switches
EL-3M0045	Workholding plate with 6 pneumatic chucks D100	410x310x105	6 chucks / 2 switches

Item No.: EL-3M0014A
 Reduction from EROW.A to 3-R



Item No.: EL-Q0023A
 Reduction from 3R to EROW.A



Item No.: EL-3M0014B
 Reduction from EROW.A to 3-R

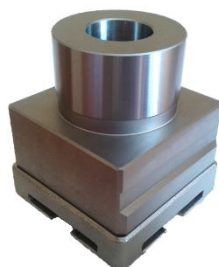


Item No.: EL-Q0023B
 Reduction from 3-R to EROW.A

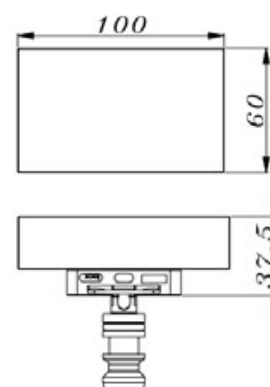


Clamping systems compatible with 3-R

Item No.: EL-3M0009-1
Gauging pin 50x50mm, Φ 40mm

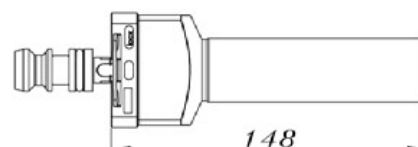


Item No.: EL-3M0008
Parallel gauging pin 100x60mm



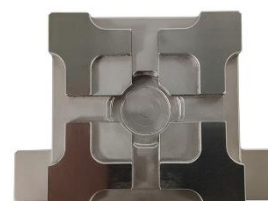
Notice: Clamping spigot is not part of packaging

Item No.: EL-3M0009
Gauging pin



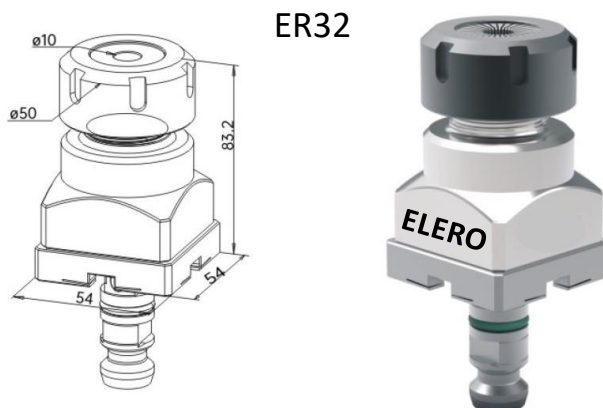
Notice: Clamping spigot is not part of packaging

Item No.: EL-3M0008-1 Reference ruler



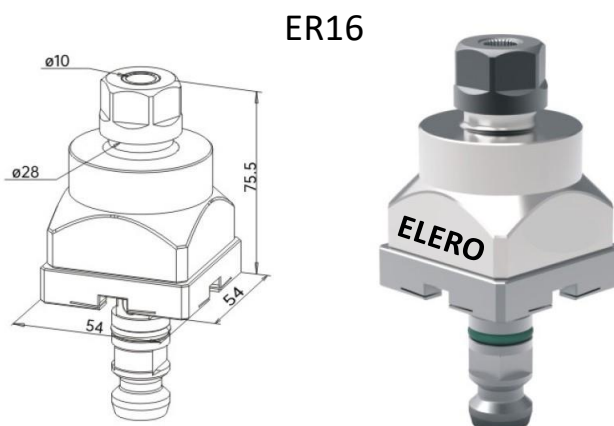
Clamping systems compatible with 3-R

Obj. Item No.: EL-3M0013 ER32 Collet holder, for collets ER32, D2 ~ D20mm



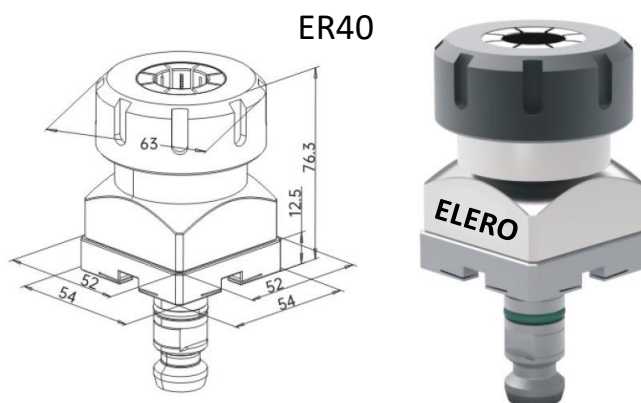
Notice: Clamping spigot is not part of packaging

Item No.: EL-3M0013/16 ER16 collet holder, for collets ER16, D0,5 ~ D10mm



Notice: Clamping spigot is not part of packaging

Item No.: EL-3M0013/40 ER40 collet holder, for collets ER40, D3 ~ D26mm



Notice: Clamping spigot is not part of packaging

Clamping systems compatible with 3-R

Item No.: ER32-UM/62252-02/NH-ER32B
Replacement nut of collet holder
EL-3M0013 for collets ER32



Item No.: 62179-01/ER32SET1
Set of high-precision collets ER32, 18 pcs of collets
capable clamping the diameters from Ø2 to Ø20mm,
in a carry case + key.
Also possible to order only single high-precision collet



Item No.: 62173-01/ER16SET1
Set of 10 pcs high precision collets ER16, accuracy class 1
capable clamping diameters from Ø0,5 to Ø10mm.,
Also possible to order only single high-precision collet.



Item No.: 62181-01/ER40SET1
Set of high precision collets ER40, 23 pcs of collets
capable clamping diameters from Ø3 to Ø26mm,
in a carry case + key.
Also possible to order only single high-precision collet.

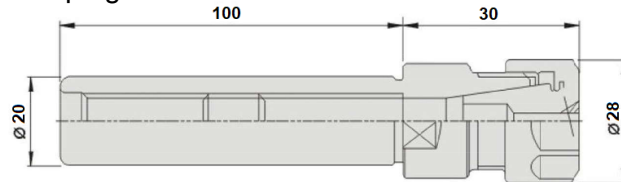


Clamping systems compatible with 3-R

Item No.: 62120-02/C20-ER16-100

Mini collet chuck holder for collets ER16 with 20mm shank.

Suitable for clamping of tube electrodes



Item No.:

- 62172-101 High precision collet ER16, Φ 1-0,5mm
- 62172-102 High precision collet ER16, Φ 1,5-1mm
- 62172-103 High precision collet ER16, Φ 2-1mm
- 62172-104 High precision collet ER16, Φ 3-2mm
- 62172-105 High-precision collet ER16, Φ 4-3mm
- 62172-106 High-precision collet ER16, Φ 5-4mm
- 62172-107 High-precision collet ER16, Φ 6-5mm
- 62172-108 High-precision collet ER16, Φ 7-6mm
- 62172-109 High-precision collet ER16, Φ 8-7mm
- 62172-110 High-precision collet ER16, Φ 9-8mm
- 62172-111 High-precision collet ER16, Φ 10-9mm



Item No.:

- C-ER16/0,1-0,5mm Seal for tube elect. 0,10-0,50mm for collets ER16
- C-ER16/0,6-1,0mm Seal for tube elect. 0,60-1,00mm for collets ER16
- C-ER16/1,1-1,5mm Seal for tube elect. 1,10-1,50mm for collets ER16
- C-ER16/1,6-2,0mm Seal for tube elect. 1,60-2,00mm for collets ER16
- C-ER16/2,1-2,5mm Seal for tube elect. 2,10-2,50mm for collets ER16
- C-ER16/2,6-3,0mm Seal for tube elect. 2,60-3,00mm for collets ER16
- C-ER16/3,1-4,0mm Seal for tube elect. 3,10-4,00mm for collets ER16
- C-ER16/4,1-5,0mm Seal for tube elect. 4,10-5,00mm for collets ER16
- C-ER16/5,1-6,0mm Seal for tube elect. 5,10-6,00mm for collets ER16



Method of tube and round electrode clamping in the collet holders



→ **EL-3M0013** Collet holder 3-R, for ER32 collets, D2 ~ D20mm

With the high precision collet set 62179-01 / ER32SET1, suitably used according to the electrode diameter in the EL-M0003 collet chuck, can be clamped tube, threaded and round electrodes with diameters Φ 2 ~ Φ 20mm

→ **62120-02/C20-ER16-100** Mini collet holder for collets ER16 with shank 20mm

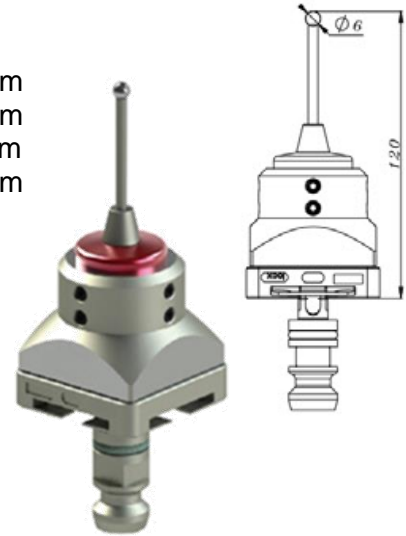
With high precision ER16 collets (62172-101 to 62172-104) sealed with C-ER16/ seals, suitably used in the mini collet chuck 62120-02/C20-ER16-100 according to the electrode diameter, can be clamped small tube, threaded and round electrodes with diameters from Φ 0.5mm...

Clamping systems compatible with 3-R

Centering sensors, with fixed sensing pin

Item No.:

- EL-3M0006-4 Centering sensors, with fixed sensing pin with ball 4mm
- EL-3M0006-5 Centering sensors, with fixed sensing pin with ball 5mm
- EL-3M0006 Centering sensors, with fixed sensing pin with ball 6mm
- EL-3M0006-8 Centering sensors, with fixed sensing pin with ball 8mm



Notice: Clamping spigot is not part of packaging

Replacement sensing pin for centering sensors EL-3M0006:

Item No.:

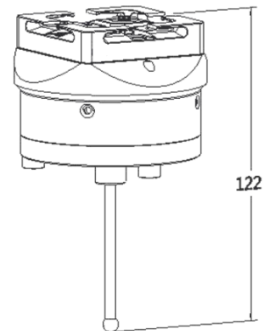
- RSP-0004 Replacement sensing pin with ball 4mm
- RSP-0005 Replacement sensing pin with ball 5mm
- RSP-0006 Replacement sensing pin with ball 6mm
- RSP-0008 Replacement sensing pin with ball 8mm



Centering sensors, with spring-loaded sensing pin

Item No.:

- EL-3M0007-2 Centering sensors with spring-loaded sensing pin, with ball 2mm
- EL-3M0007-3 Centering sensors with spring-loaded sensing pin, with ball 3mm
- EL-3M0007-4 Centering sensors with spring-loaded sensing pin, with ball 4mm
- EL-3M0007-5 Centering sensors with spring-loaded sensing pin, with ball 5mm
- EL-3M0007-6 Centering sensors with spring-loaded sensing pin, with ball 6mm



Notice: Clamping spigot is not part of packaging

Replacement sensing pin for spring-loaded centering sensors EL-3M0007:

Item No.:

- RSLSP-0002 Replacement spring-loaded sensing pin with ball 2mm
- RSLSP-0003 Replacement spring-loaded sensing pin with ball 3mm
- RSLSP-0004 Replacement spring-loaded sensing pin with ball 4mm
- RSLSP-0005 Replacement spring-loaded sensing pin with ball 5mm
- RSLSP-0005 Replacement spring-loaded sensing pin with ball 6mm



Clamping systems compatible with 3-R

Item No.:

- EL-P0001 Magnetic probe for working table of die sinking EDM,
with ball 4mm
- EL-P0002-1 Magnetic probe for working table of die sinking EDM,
with ball 5mm
- EL-P0002 Magnetic probe for working table of die sinking EDM,
with ball 6mm
- EL-P0003 Magnetic probe for working table of die sinking EDM,
with ball 8mm



Item No.: EL-3M0014

Adjusting chuck in X, Y, C axis
For square and round electrode clamping
up to diameter Ø22mm
Net weight 5kg, height 112mm



Item No.: HCH-20

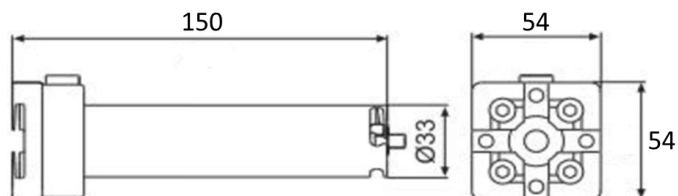
Hydraulic chuck Macro for
Ø20mm shaft Mini



Item No.: EL-MJ0001 Reduction adaptor from Macro to Junior



Item No.: EL-MJ0002 Extension reduction from Macro to Junior



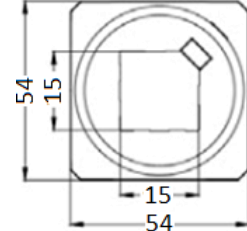
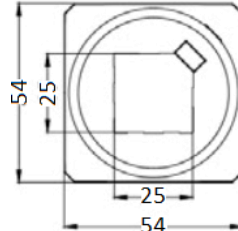
Item No.: EL-MJ0003 Connection washer



Clamping systems compatible with 3-R

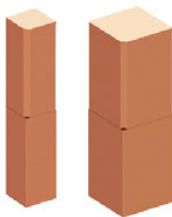
Item No.:

- EL-M0001/3-R Precision stainless steel holder, with clamping hole for electrode shank 25x25mm
 EL-M0004/3-R Precision stainless steel holder, with clamping hole for electrode shank 15x15mm

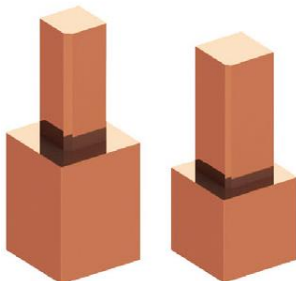


Notice: Clamping spigot is not part of packaging

Copper and graphite electrodes blank



Item No.	Dimensions	Shank length	Packing
EL-R0001	15x15x80 mm	32mm	20pcs/set
EL-R0002	25x25x75 mm	40mm	20pcs/set
EL-R0003	25x25x90 mm	40mm	20pcs/set

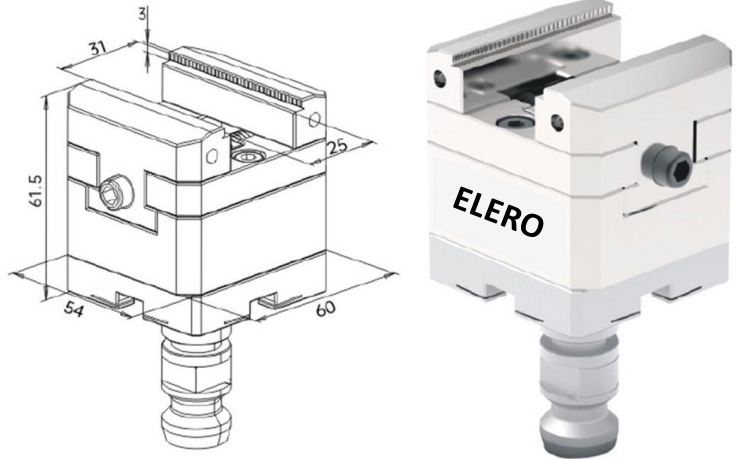


Item No.	Shank	Head	Total length	Packing
EL-R0004	15x15 mm	20x20 mm	75 mm	10pcs
EL-R0005		25x25 mm	75 mm	10pcs
EL-R0006	Shank length	30x30 mm	75 mm	10pcs
EL-R0007		35x35 mm	75 mm	10pcs
EL-R0008		40x40 mm	75 mm	10pcs

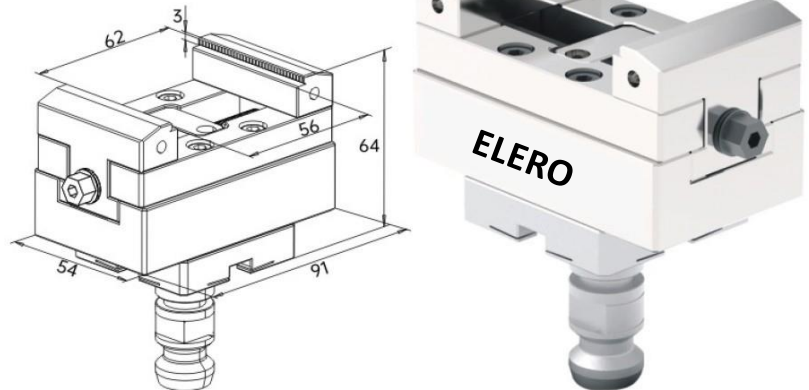
Item No.	Shank	Head	Total length	Packing
EL-R0009	25x25 mm	30x30 mm	75 mm	10pcs
EL-R0010		30x30 mm	90 mm	10pcs
EL-R0011	Shank length	40x40 mm	75 mm	10pcs
EL-R0012		40x40 mm	90 mm	10pcs
EL-R0013	40mm	50x50 mm	85 mm	10pcs

Clamping systems compatible with 3-R

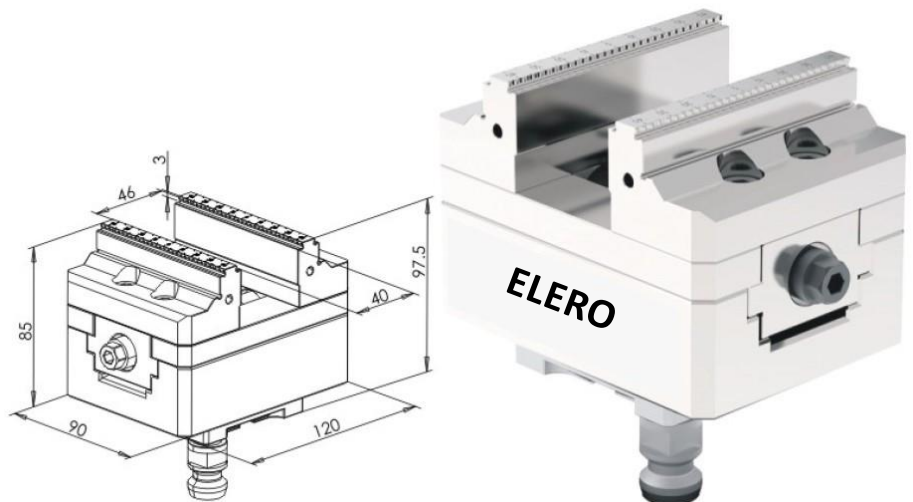
Item No.: EL-HQ0001
Self centering vise 3-R,
Clamping range 0-31mm
Clamping force 2000N



Item No.: EL-3R62
Self centering vise 3-R,
Clamping range 0-62mm
Clamping force 3000N

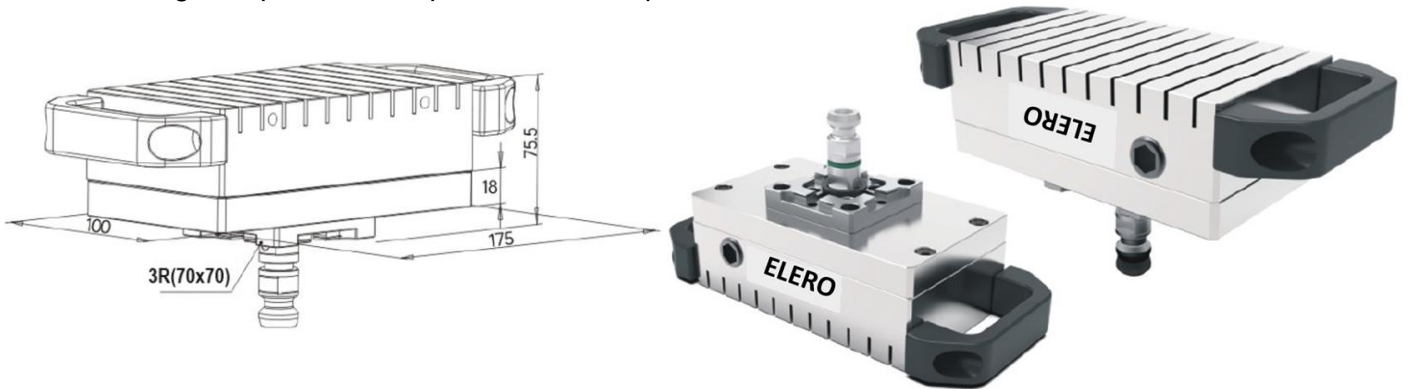


Item No.: EL-3R46X90
Self centering vise ITS50,
Clamping range 0-46mm
Clamping force 4000N

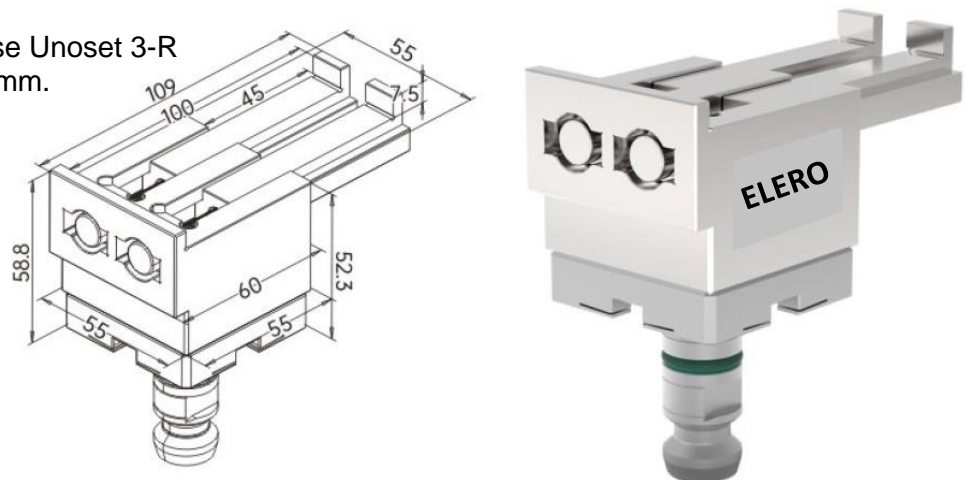


Clamping systems compatible with 3-R

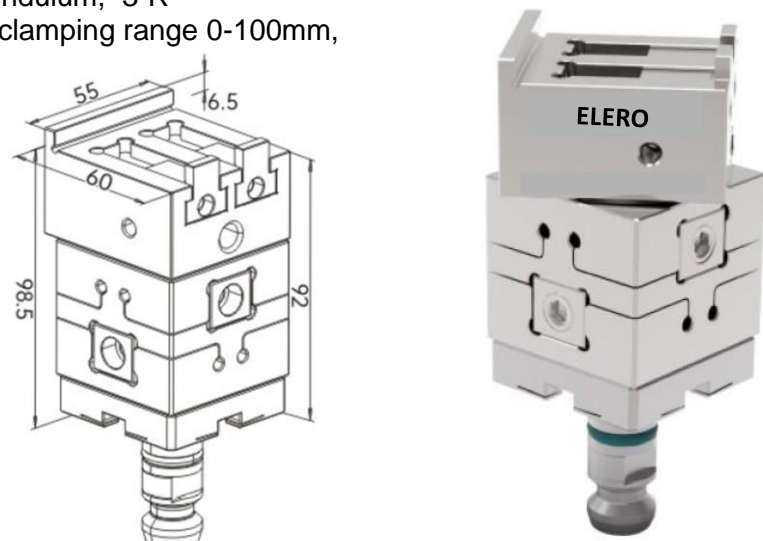
Item No.: EL-V0003A
Magnetic pallet with G plate 3-R 70x70 pallet



Item No.: EL-T0021-3R
Precision toolmaker vise Unoset 3-R
Clamping range 0-100mm.



Item No.: EL-T0002-3M
Precision toolmaker vise – pendulum, 3-R
With microadjusting in 3axis, clamping range 0-100mm,
angle setting 0-360°

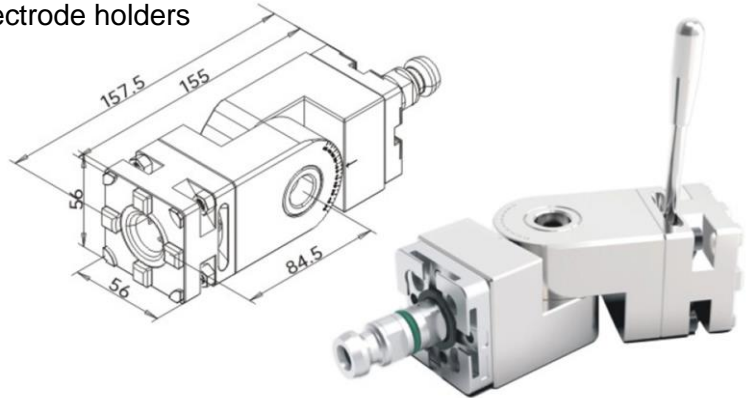


Upínače kompatibilné s 3-R

Item No.: EL-3MV0001

Angle clamping unit for pallets and electrode holders compatible with 3-R

Possible to produce with internal flushing (optional)



Item No.: EL-3MW0015

Angle electrode holder, with indexing by 1°, prismatic hole 15x15mm



For simple clamping and angle setting of electrode; for example when are channel inlets machining.

Fixation with hydraulic valve in the middle of rotation – fixing the position without setting angle change.

Simple and quick angle setting allows planchet with indexing by 1°

Electrodes are clamped into the prismatic hole 15x15mm.

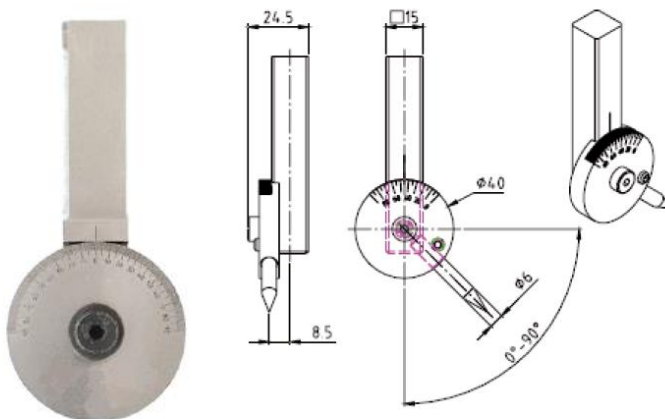
Scale 0-90°.

Rotation range 0-180°

Max. load capacity 5kg.

Item No.: EL-F0006

Angle holder for electrodes Ø6mm with shank 15x15mm, angle setting 0-90° through the nonius



Precision square shank 15x15mm for clamping of angle holder.

Fluently adjustable 0-90° through the nonius.

Clamping electrode diameter Ø6mm.

Clamping systems compatible with 3-R

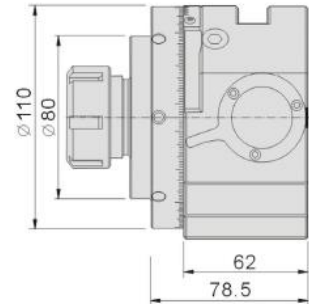
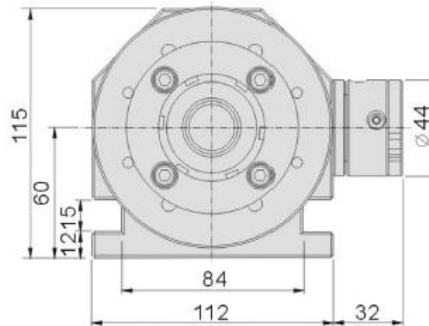
Item No.: EL-3MV0004

Dividing device with manual chuck, tilting $+90^{\circ}/-10^{\circ}$, with fine tuning 360°



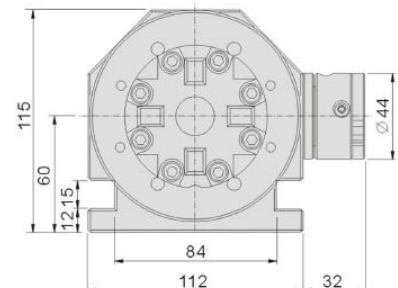
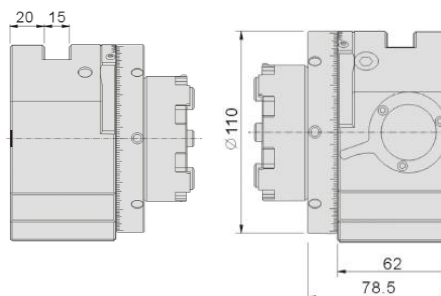
Item No.: 53210-04

Dividing device stainless steel with fine tuning 360° , with ER32 collets chuck.
 Possible to order also with ER20 or ER50 collets chuck. Clamping range $\varnothing 2 - \varnothing 34\text{mm}$.



Item No.: 53210-08

Stainless dividing device with manual quick chuck, with fine tuning 360°

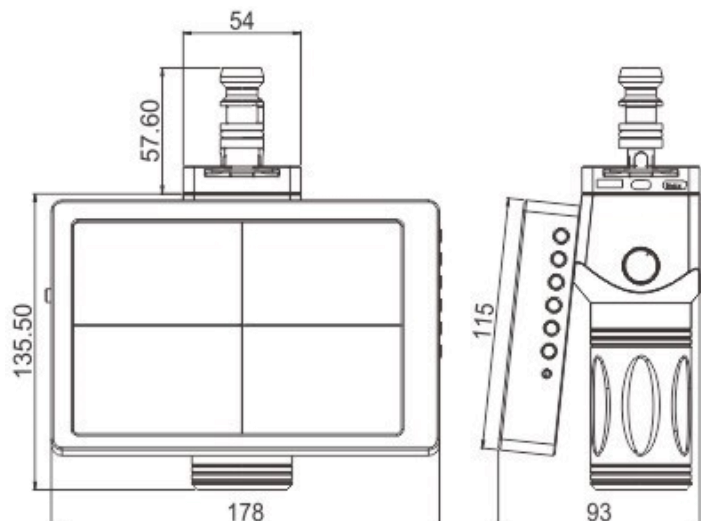


Clamping systems compatible with 3-R

Item No.: EL-2080R Camera detector compatible with 3-R



Screen size/pixels	7" / 1080
Visual accuracy	±0,003mm
Magnification's multiples	50 times
Angle setting	each 15"
Automatic edge detection	flash after edge finding (cross changes the colour)
Mark-line (cross) colours	White, Red, Green, Blue, Black
Rotation angle	Can manually angle rotate in steps of 15"
Focus distance	50-60mm over the workpiece
Light source	LED lamp groups with adjustable intensity
Source	Lithium battery 4800mA
Charger	12V (2A)
Dimensions	178x175x93mm
Weight	2kg
Package	silver suitcase



We can offer many other components of our best-selling clamping systems at affordable prices. If you cannot find required clamping system, please see section The best-selling clamping system for electrode production for die-sinking EDM at affordable prices - palletisation compatible with EROW.A, where you can find more products. Almost all of them are available also for clamping systems compatible with 3-R.