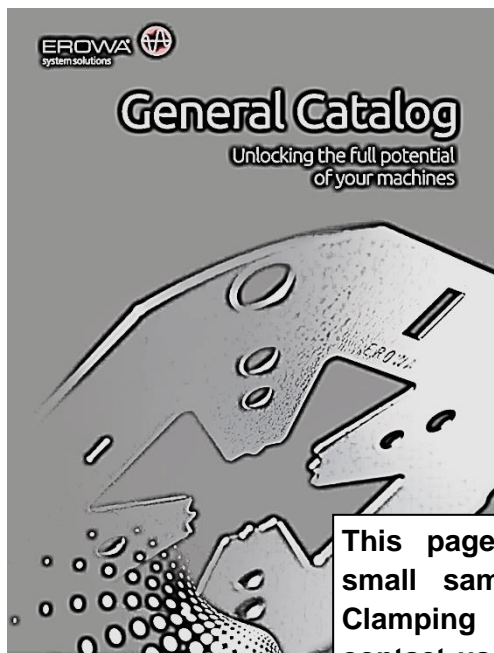


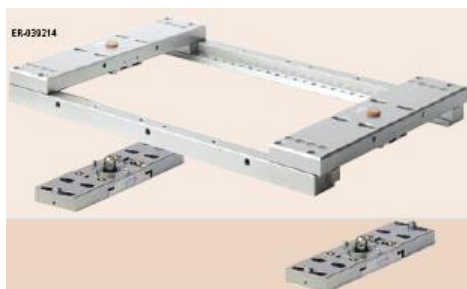
CLAMPING SYSTEMS

- Clamping system EROWA
- Clamping system SYSTEM 3R
- Clamping system ELERO for EDM wire cutters - WEDM
- Clamping system ELERO for electrode production for die-sinking EDM – palletisation compatible with EROWA
- Clamping system ELERO for electrode production for die-sinking EDM – palletisation compatible with 3-R

EROWA is the most widely used clamping system in the world.



This page shows a very small sample of EROWA Clamping Systems. Please contact us for full details of their full range.



CLAMPING SYSTEM ELERO FOR ELECTRODE PRODUCTION FOR DIE-SINKING EDM, PALLETISATION COMPATIBLE WITH EROW.A

Clamping systems compatible with EROW.A

The following components of the palletisation clamping system enable the material for the electrode (copper, graphite etc.) to be clamped directly into the pallet or into the collet chuck holder. The material can then be machined in a machining centre, milling machine, lathe, grinding machine or EDM wire cutter etc. The finished product (the electrode), whilst still clamped into pallet or collet chuck holder, can now be clamped directly to the EDM die-sinker without the need for further adjustment of the electrode. Repeatable accuracy for the positioning of the pallets or collet chuck holders into the clamping chucks is 0,002mm.

Clamping pallets Uniholder ITS50, with transversal groove

Brass:

Item No.:

- EL-C0001-1 Clamping pallet U10 brass, width of transversal groove 10,5mm
- EL-C0001 Clamping pallet U15 brass, width of transversal groove 15,5mm
- EL-C0002 Clamping pallet U20 brass, width of transversal groove 20,5mm
- EL-C0003 Clamping pallet U25 brass, width of transversal groove 25,5mm



Aluminium:

Item No.:

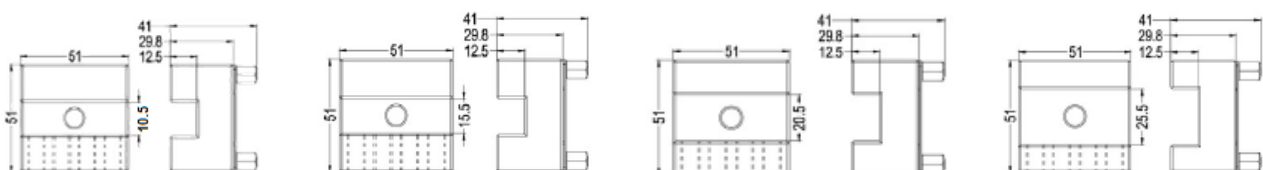
- EL-D0001-1 Clamping pallet U10 aluminium, width of transversal groove 10,5mm
- EL-D0001 Clamping pallet U15 aluminium, width of transversal groove 15,5mm
- EL-D0002 Clamping pallet U20 aluminium, width of transversal groove 20,5mm
- EL-D0003 Clamping pallet U25 aluminium, width of transversal groove 25,5mm

Stainless steel:

Item No.:

- EL-B0001-1 Clamping pallet U10 stainless steel, width of transversal groove 10,5mm
- EL-B0001 Clamping pallet U15 stainless steel, width of transversal groove 15,5mm
- EL-B0002 Clamping pallet U20 stainless steel, width of transversal groove 20,5mm
- EL-B0003 Clamping pallet U25 stainless steel, width of transversal groove 25,5mm

Different sizes of the clamping groove: 10,5mm, 15,5mm, 20,5mm, 25,5mm



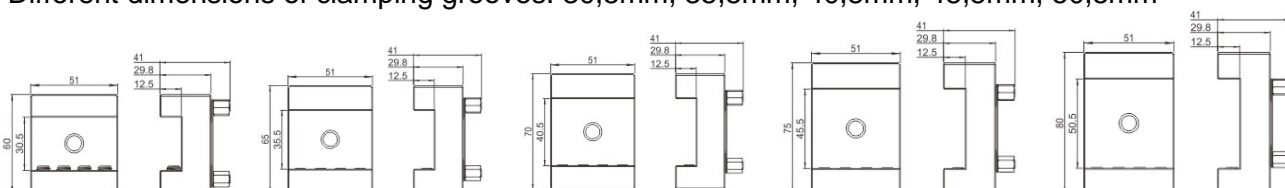
Clamping systems compatible with EROW.A

Item No.:

- EL-B0004 Clamping pallet U30 stainless steel, width of clamping groove 30,5mm
- EL-B0041 Clamping pallet U35 stainless steel, width of clamping groove 35,5mm
- EL-B0042 Clamping pallet U40 stainless steel, width of clamping groove 40,5mm
- EL-B0043 Clamping pallet U45 stainless steel, width of clamping groove 45,5mm
- EL-B0044 Clamping pallet U50 stainless steel, width of clamping groove 50,5mm



Different dimensions of clamping grooves: 30,5mm, 35,5mm, 40,5mm, 45,5mm, 50,5mm



Clamping pallets Prisround ITS50, with hole

Brass:

Item No.:

- EL-C0005-1 Clamping pallet S10 brass, hole 11,5x11,5mm
- EL-C0005 Clamping pallet S15 brass, hole 16,5x16,5mm
- EL-C0006 Clamping pallet S20 brass, hole 21,5x21,5mm
- EL-C0007 Clamping pallet S25 brass, hole 26,5x26,5mm
- EL-C0007-1 Clamping pallet S30 brass, hole 31,5x31,5mm



Aluminium:

Item No.:

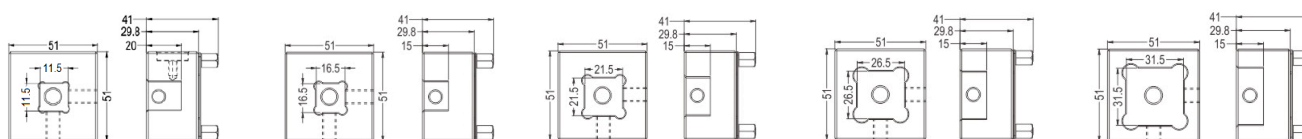
- EL-D0005-1 Clamping pallet S10 aluminium, hole 11,5x11,5mm
- EL-D0005 Clamping pallet S15 aluminium, hole 16,5x16,5mm
- EL-D0006 Clamping pallet S20 aluminium, hole 21,5x21,5mm
- EL-D0007 Clamping pallet S25 aluminium, hole 26,5x26,5mm
- EL-D0007-1 Clamping pallet S30 aluminium, hole 31,5x31,5mm

Stainless steel:

Item No.:

- EL-B0005-1 Clamping pallet S10 stainless steel, hole 11,5x11,5mm
- EL-B0005 Clamping pallet S15 stainless steel, hole 16,5x16,5mm
- EL-B0006 Clamping pallet S20 stainless steel, hole 21,5x21,5mm
- EL-B0007 Clamping pallet S25 stainless steel, hole 26,5x26,5mm
- EL-B0008 Clamping pallet S30 stainless steel, hole 31,5x31,5mm

Different dimensions of clamping holes: 11,5x11,5, 16,5x16,5, 21,5x21,5, 26,5x26,5, 31,5x31,5mm

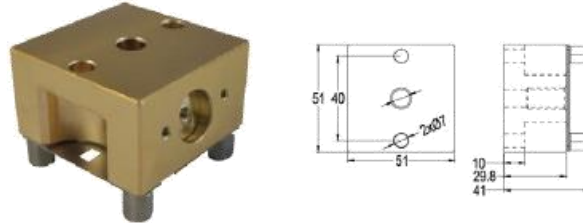


Clamping systems compatible with EROW.A

Clamping pallets Uniplate, flat

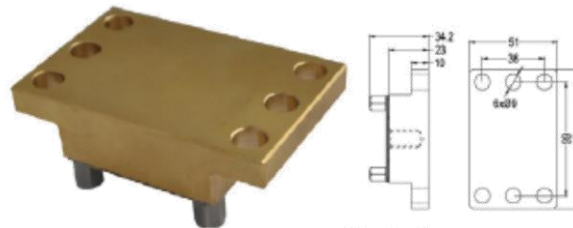
Item No.:

- EL-C0004 Clamping pallet 51x51mm brass ITS50, flat
- EL-D0004 Clamping pallet 51x51mm aluminium ITS50, flat
- EL-B0009 Clamping pallet 51x51mm stainless steel ITS50, flat



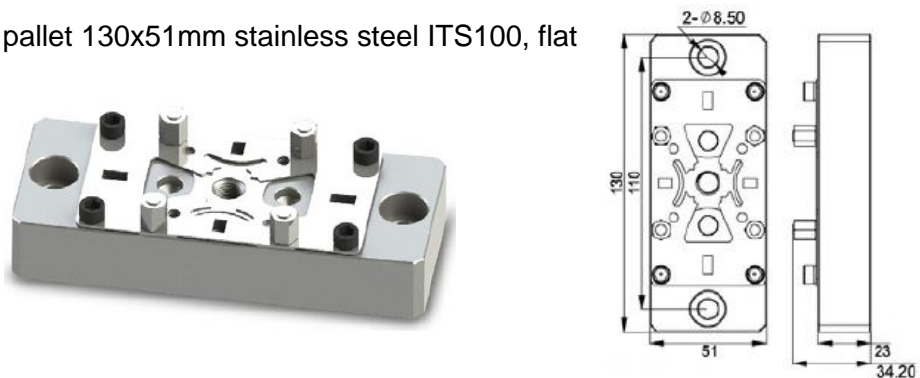
Item No.:

- EL-C0008 Clamping pallet 81x51mm brass ITS50, flat
- EL-B0010 Clamping pallet 81x51mm stainless steel ITS50, flat



Item No.:

- EL-B0010-A Clamping pallet 130x51mm stainless steel ITS100, flat



Item No.:

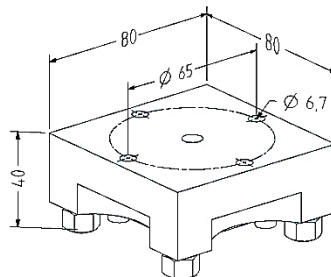
- EL-B0011 Clamping pallet 150x92mm stainless steel ITS100, flat
 For clamping extra large flat electrodes



Clamping systems compatible with EROW.A

Item No.:

EL-D0008 Clamping pallet 80x80mm aluminium ITS100, flat



Item No.:

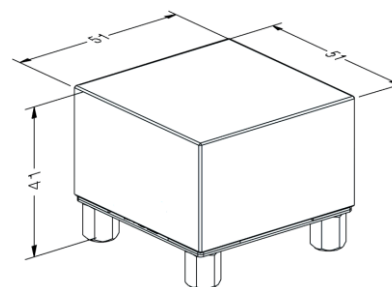
EL-D0009 Clamping pallet 80x80mm aluminium ITS100, with hole 50x50mm



Item No.:

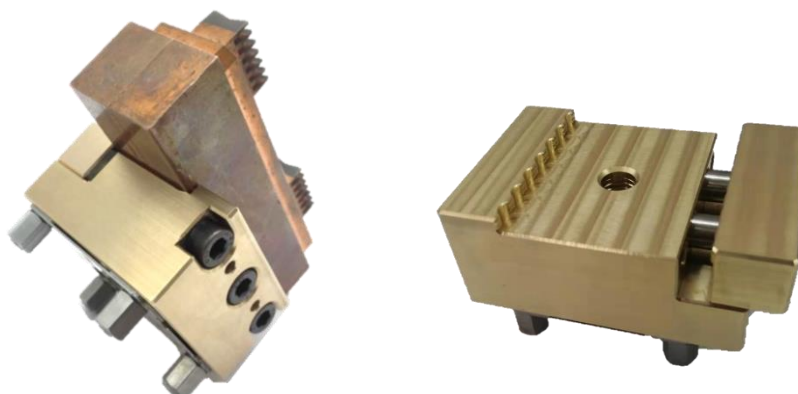
EL-C010 Clamping pallet 51x51mm ITS50, brass, universal

EL-D010 Clamping pallet 51x51mm ITS50, aluminium, universal



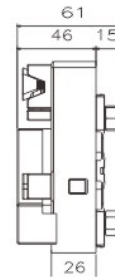
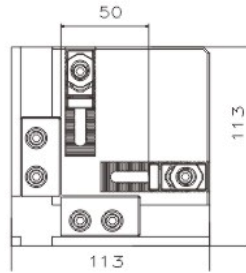
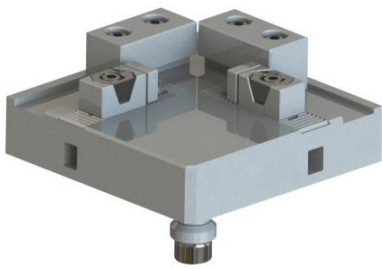
Item No.:

EL-C011 Clamping pallet ITS50 adjustable, brass

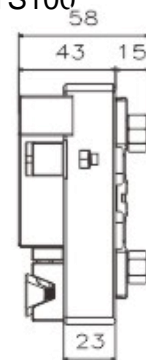
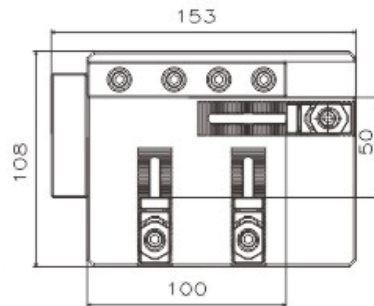
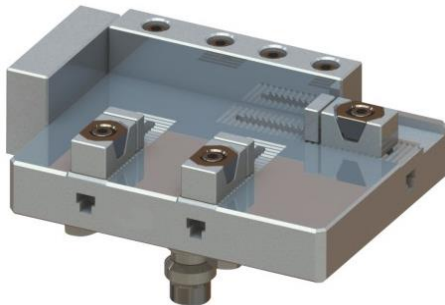


Clamping systems compatible with EROW.A

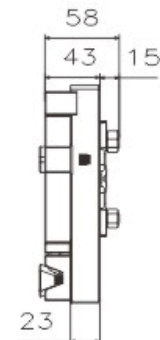
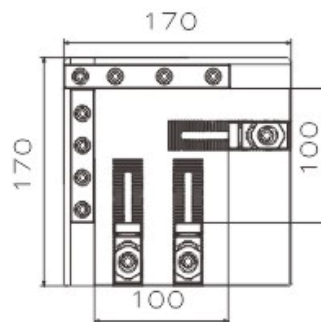
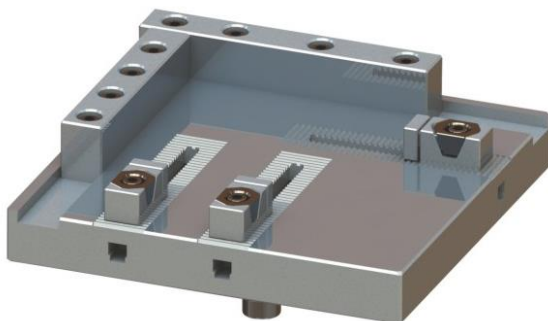
Item No.: EL-V0008 Universal stainless adjustable holder 20x20mm~50x50mm, ITS100



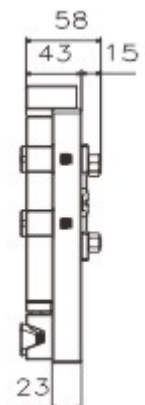
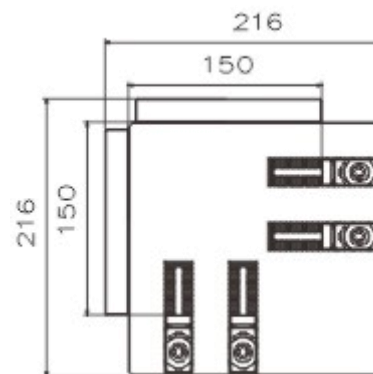
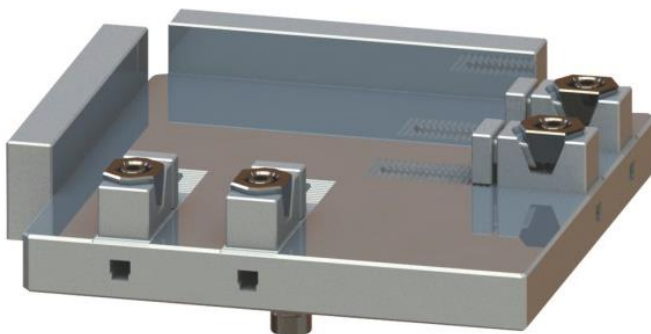
Item No.: EL-V0009 Universal stainless adjustable holder 25x50mm~50x100mm, ITS100



Item No.: EL-V0010 Universal stainless adjustable holder 50x50mm~100x100mm, ITS100

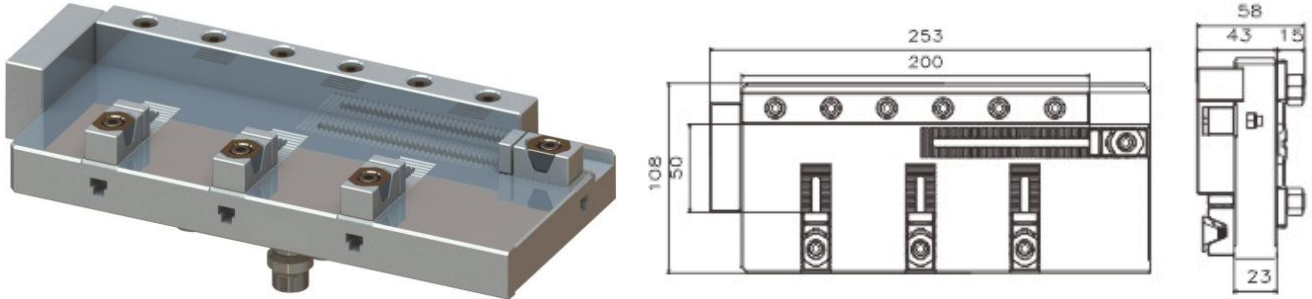


Item No.: EL-V0011 Universal stainless adjustable holder 100x100mm~150x150mm, ITS100

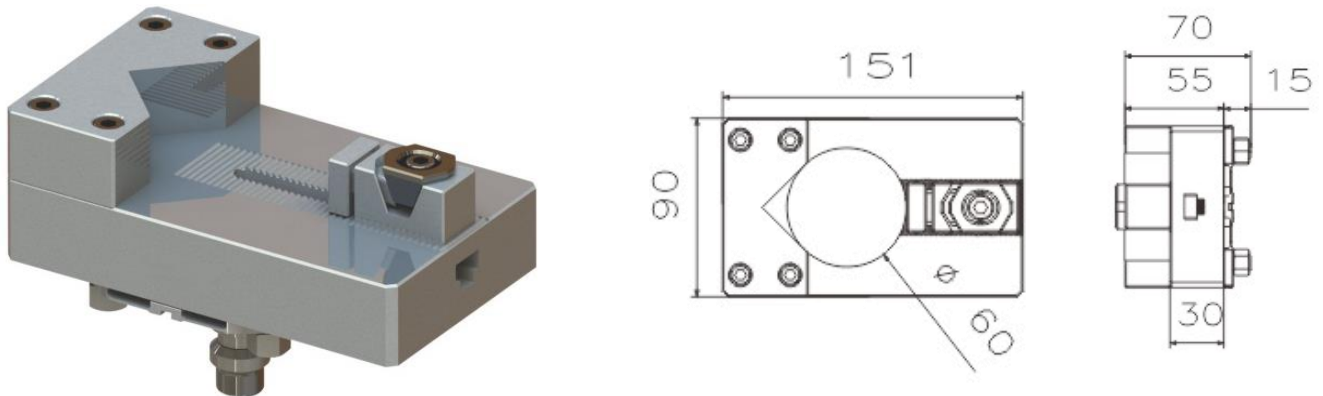


Clamping systems compatible with EROW.A

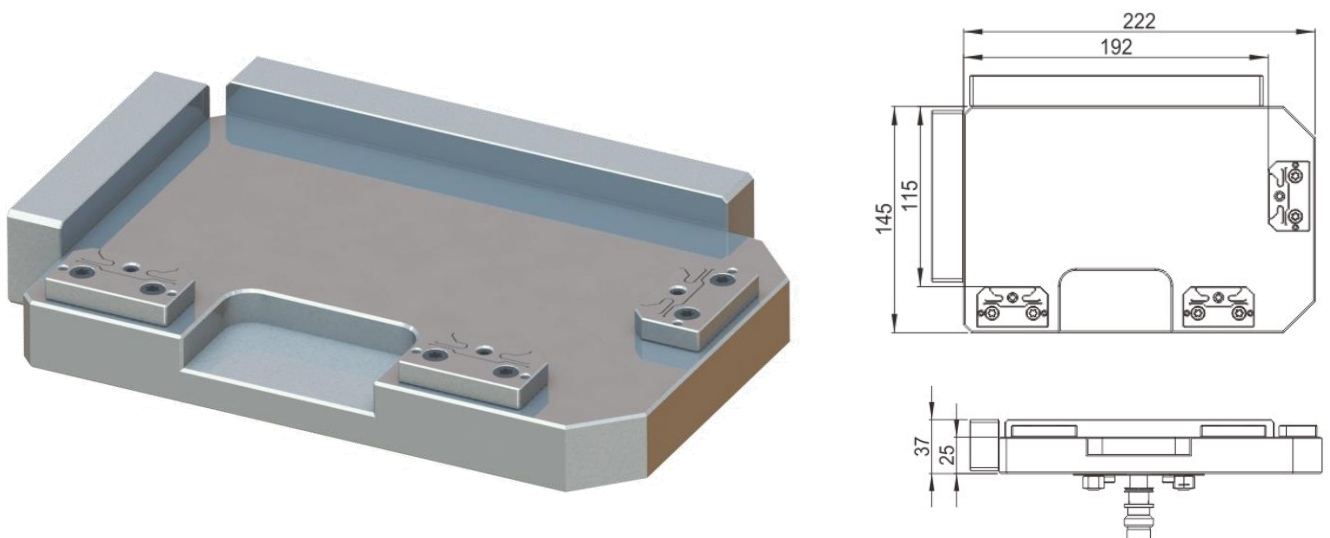
Item No.: EL-V0012 Universal stainless adjustable holder 25x100mm~50x200mm, ITS100



Item No.: EL-V0013 Universal adjustable stainless prism holder Ø20~60mm , ITS100



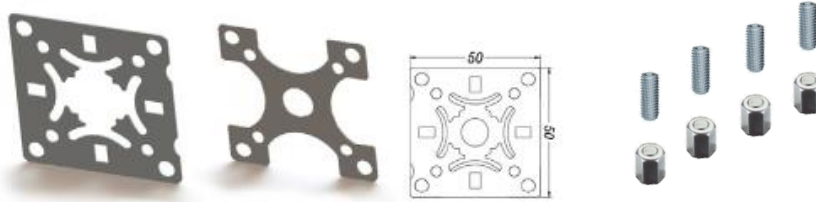
Item No.: EL-V0014 Universal stainless holder 222x145x37mm , ITS100



Clamping systems compatible with EROW.A

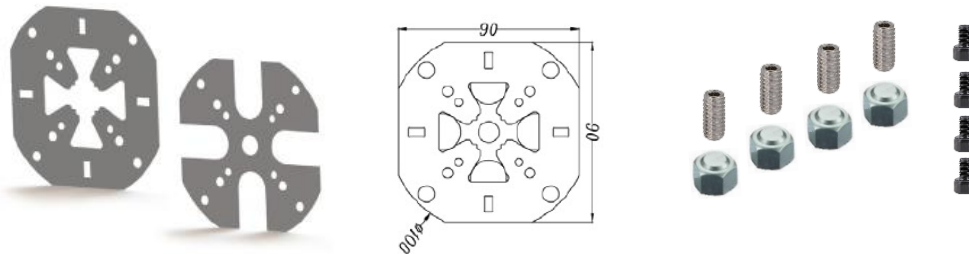
Item No.:

EL-A0001 Centring plates of clamping system ITS, size 50 – 2pcs, including screws 4pcs/set



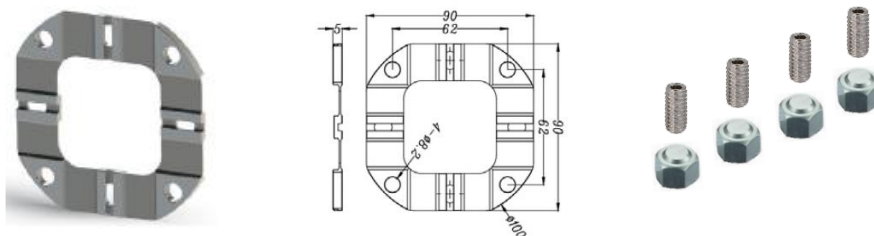
Item No.:

EL-A0002 Centring plates of clamping system ITS, size 100 – 2pcs, including screws 4+4 pcs/set



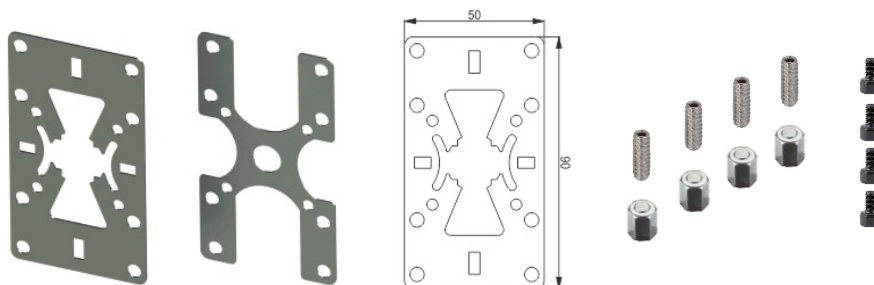
Item No.:

EL-A0003 Centring G plate, including screws 4pcs/plate



Item No.:

EL-A0004 Centring plates 50x100, including screws 4+4 pcs/set



Clamping systems compatible with EROW.A

Item No.:

EL-Q0004 Spigot ITS

Suitable also for the automatic exchange with internal flushing hole



Item No.:

EL-Q0013 Replacing ring for automatic spigots ITS

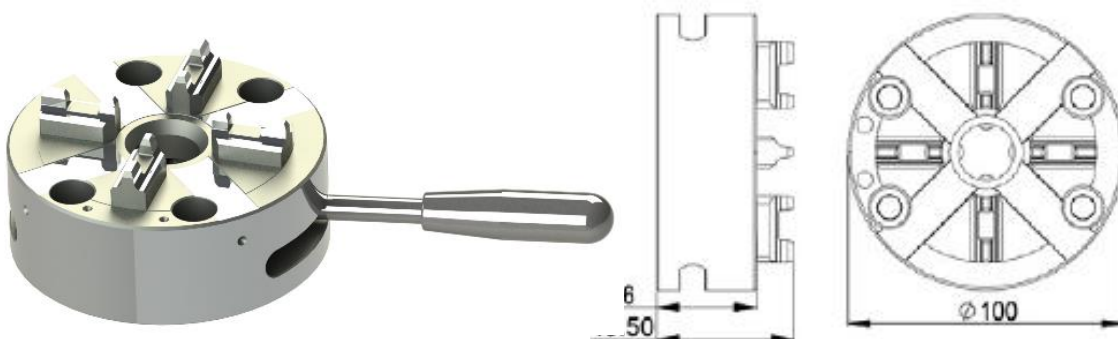


Item No.:

EL-Q0001 Electronic chip

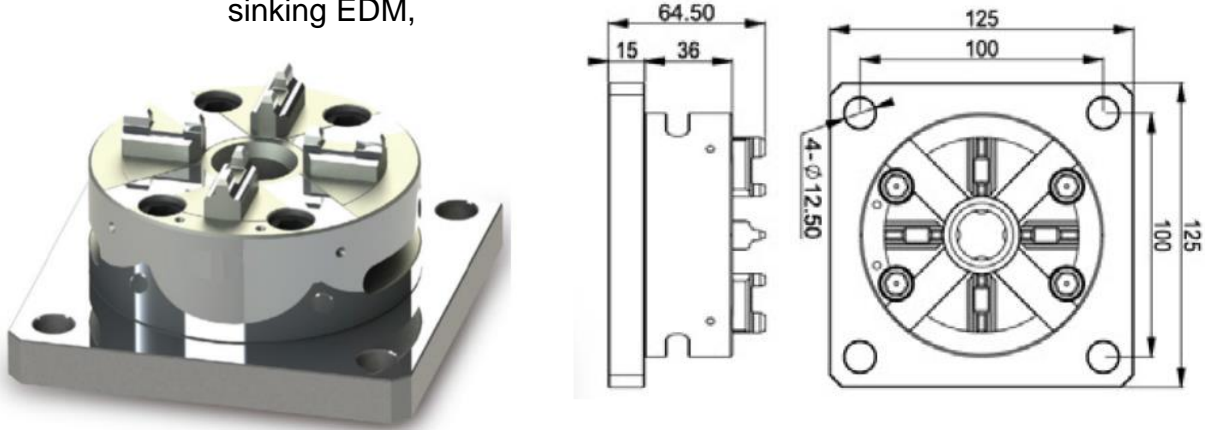


Item No.: EL-K0010 Manual quick chuck ITS100, clamping force 10 000 N. Suitable for lathe, milling machines, machining centre, grinding machines, EDM wire cutters or EDM die-sinking machines... .

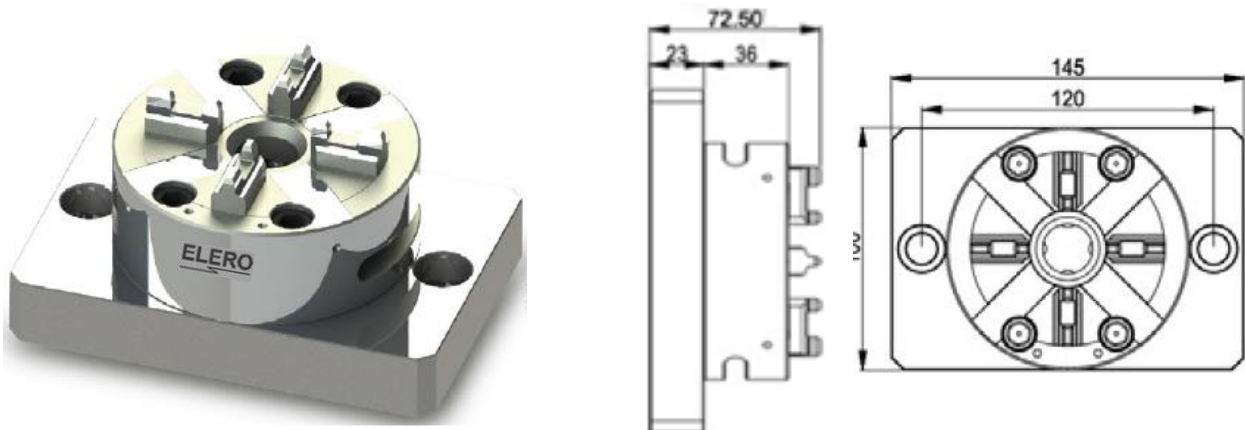


Clamping systems compatible with EROW.A

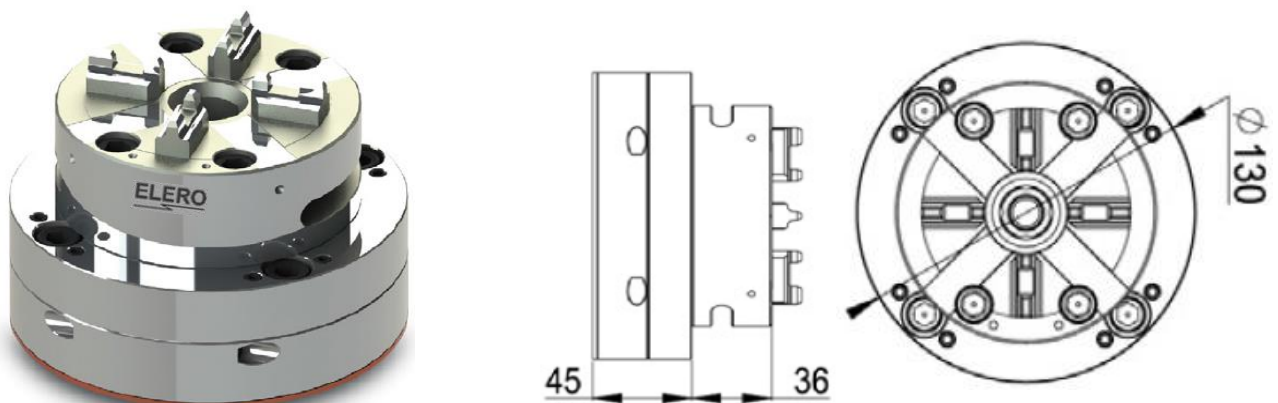
Item No.: EL-K0011 Manual quick chuck ITS100 with base, clamping force 10 000N.
 Suitable for milling machines, machining centre, grinding machines, die
 sinking EDM,



Item No.: EL-K0012 Manual quick chuck ITS100 with base, clamping force 10 000N.
 Suitable for milling machines, machining centre, grinding machines, die
 sinking EDM,



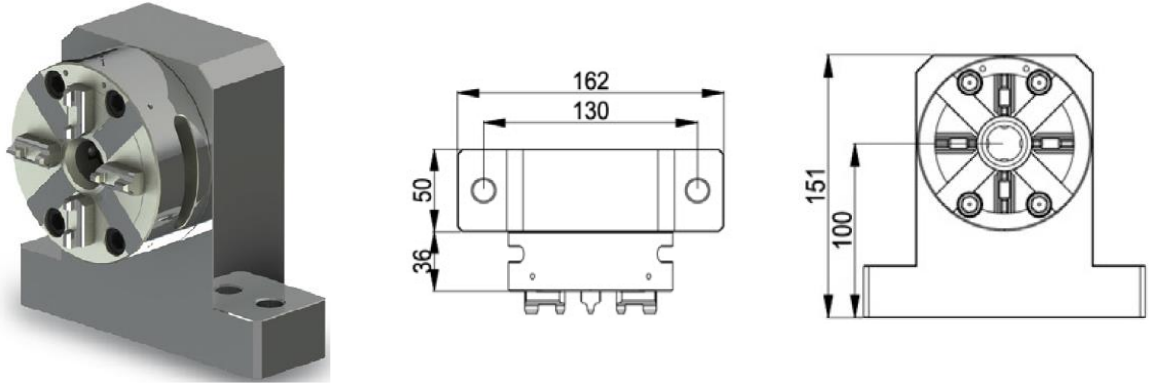
Item No.: EL-K0013 Manual quick chuck ITS100 with base, clamping force 10 000N.
 Suitable for die sinking EDM



Clamping systems compatible with EROW.A

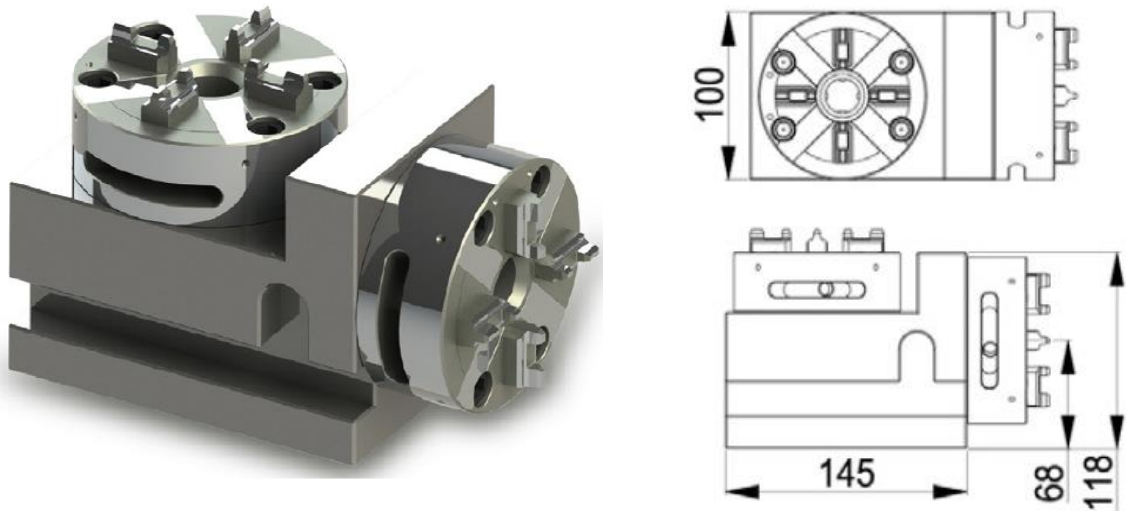
Item No.: EL-K0014

Vertical manual quick chuck ITS100, clamping force 10 000N.

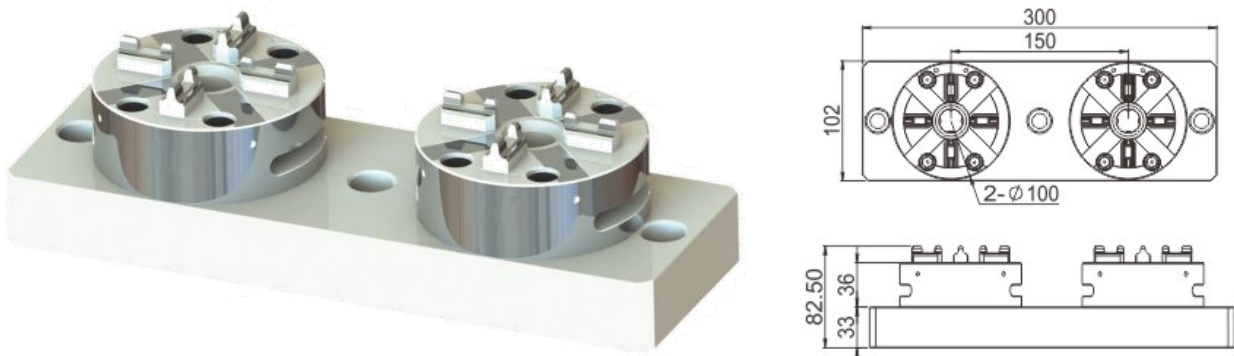


Item No.: EL-K0015

Horizontal and vertical manual quick chuck ITS100, clamping force 10 000N.

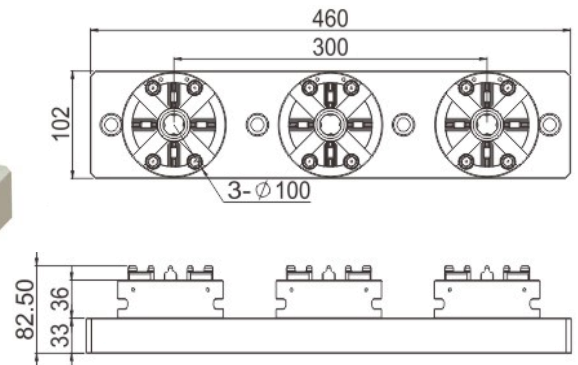


Item No.: EL-K0016 Workholding System plate with 2 manual quick chucks ITS100



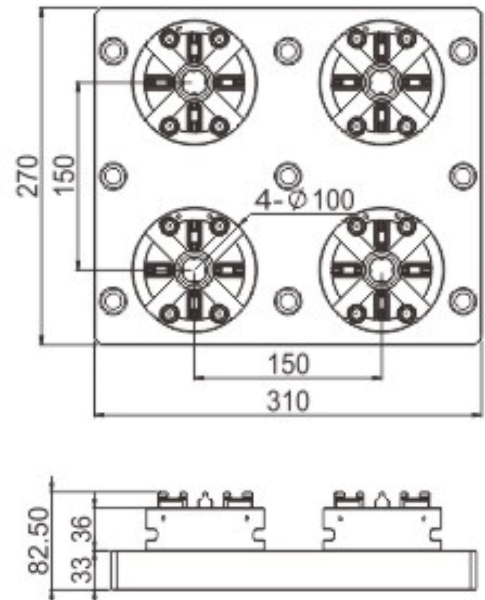
Clamping systems compatible with EROW.A

Item No.: EL-K0017 Workholding plate with 3 manual quick chucks ITS100

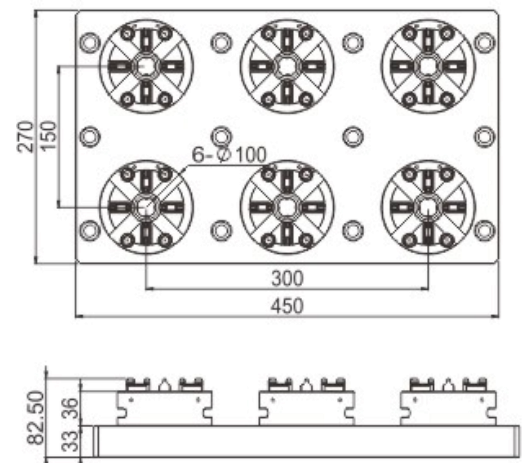
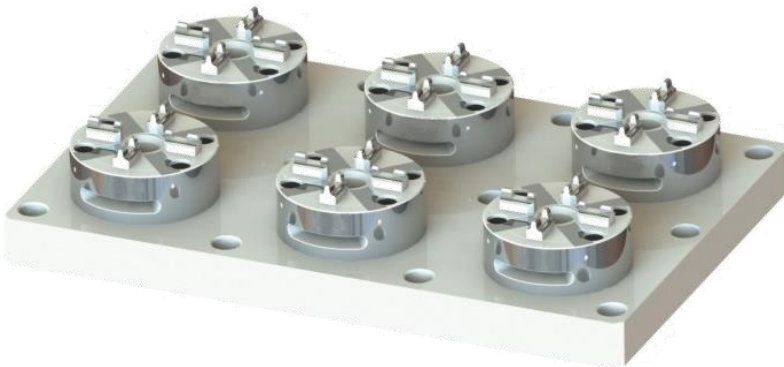


Item No.: EL-K0018 Workholding plate with 4 manual quick chucks ITS100

Item No.:

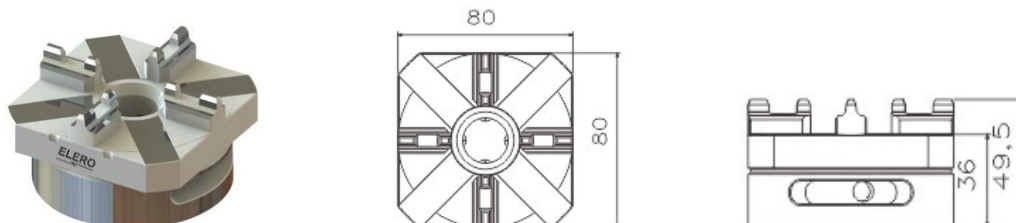


EL-K0019 Workholding plate with 6 manual quick chucks ITS100

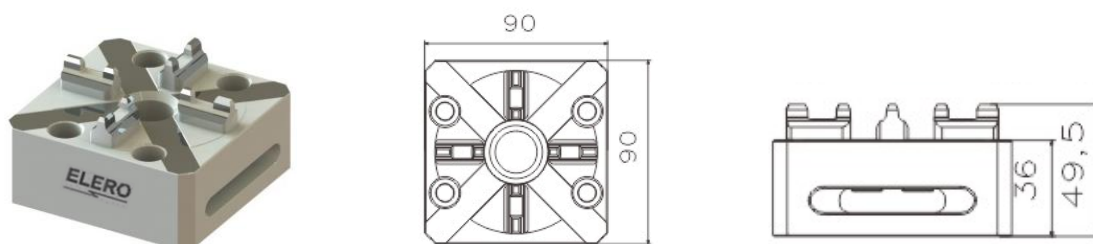


Clamping systems compatible with EROW.A

Item No.:
EL-K0080 80mm square manual quick chuck ITS100

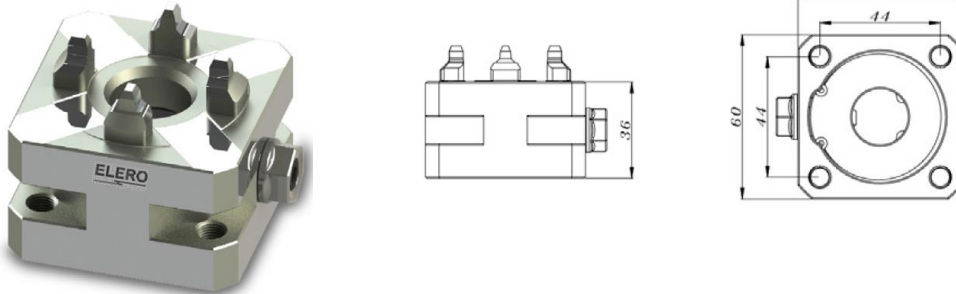


Item No.:
EL-K0090 90mm square manual quick chuck ITS100

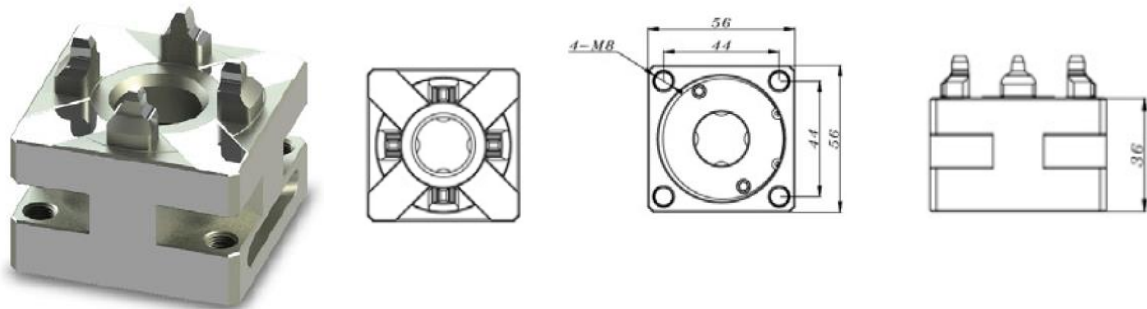


Clamping systems compatible with EROW.A

Item No.: EL-S0001
Manual chuck ITS50, clamping force 45000N.



Item No.: EL-L0001
Manual quick chuck ITS50, clamping force 4000N.



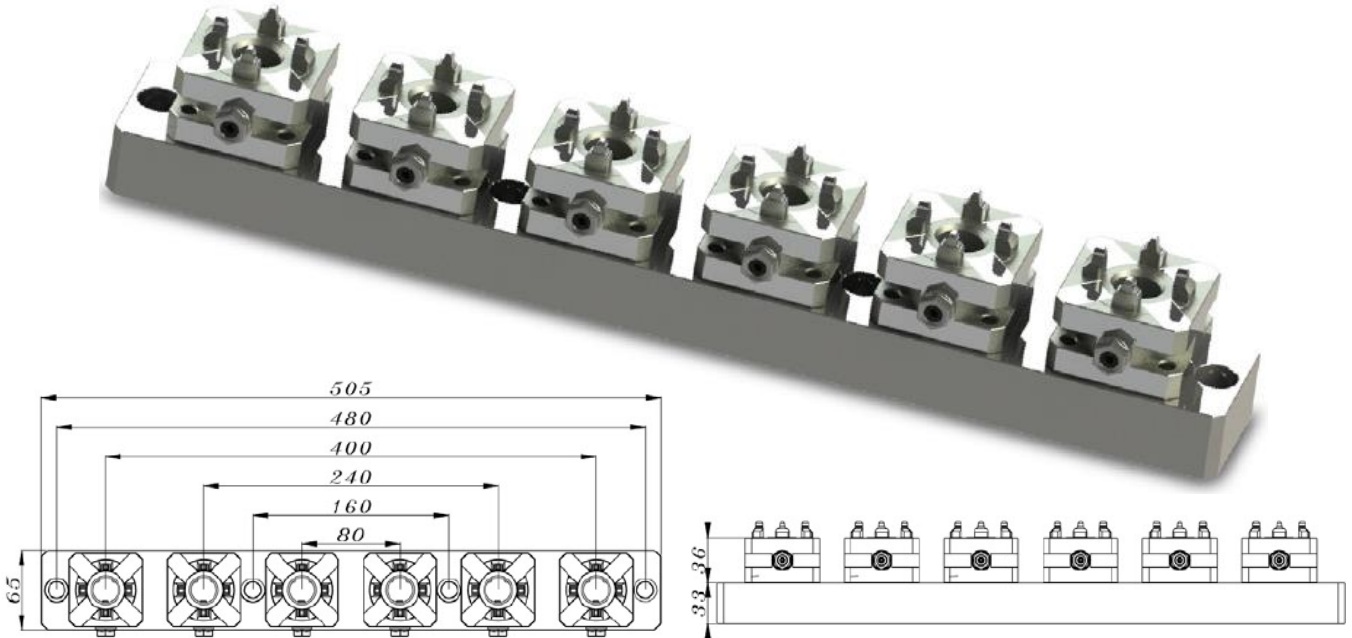
Item No.: EL-S0002
Workholding plate with 3 manual chucks ITS50, clamping force 4500N.



Clamping systems compatible with EROW.A

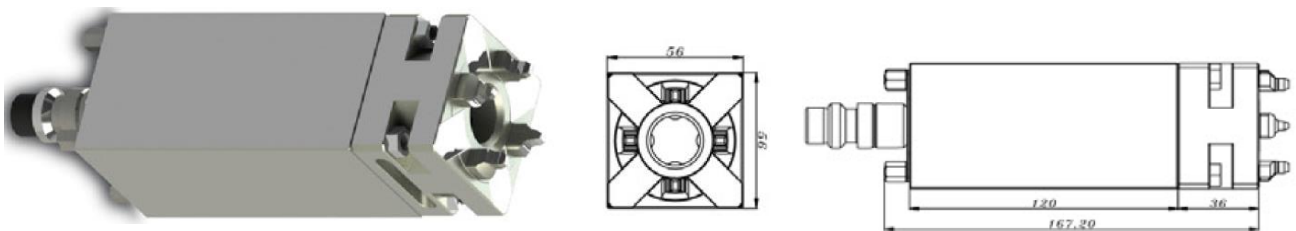
Item No.: EL-S0003

Workholding plate with 6 manual chucks ITS50, clamping force 4500N.



Item No.: EL-L0003

Manual quick chuck ITS50 with extension arm, clamping force 4000N.



Item No.: EL-L0005

Vertical manual quick chuck ITS50, clamping force 4000N.



Clamping systems compatible with EROW.A

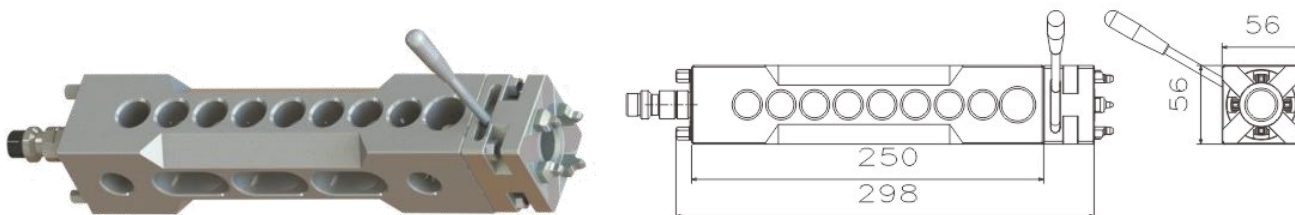
Item No.: EL-L0003/150
 Manual quick chuck ITS50,
 with extension rod 150mm, clamping force 4000N



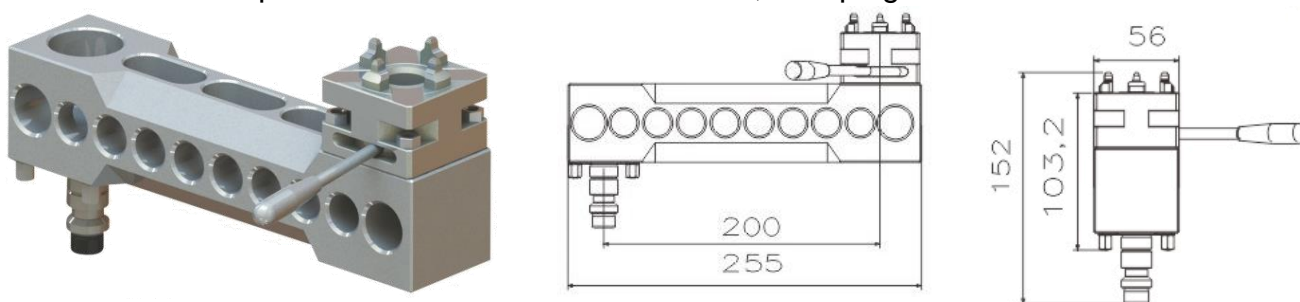
Item No.: EL-L0003/250
 Manual quick chuck ITS50,
 with extension rod 250mm, clamping force 4000N



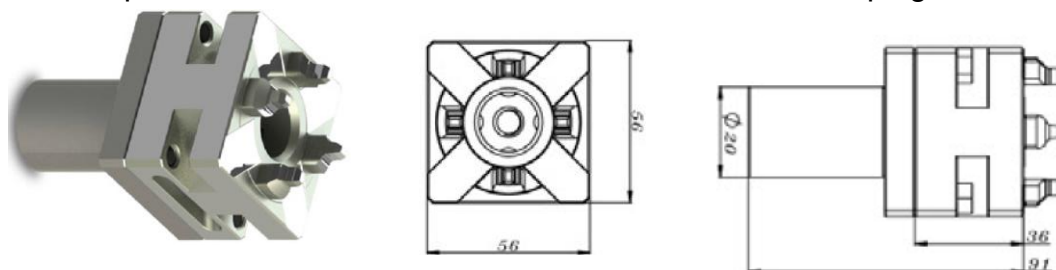
Item No.: EL-L0007 Manual quick chuck ITS50 on extension rod, clamping force 4000N



Item No.: EL-L0008 Manual quick chuck ITS50 on extension rod, clamping force 4000N



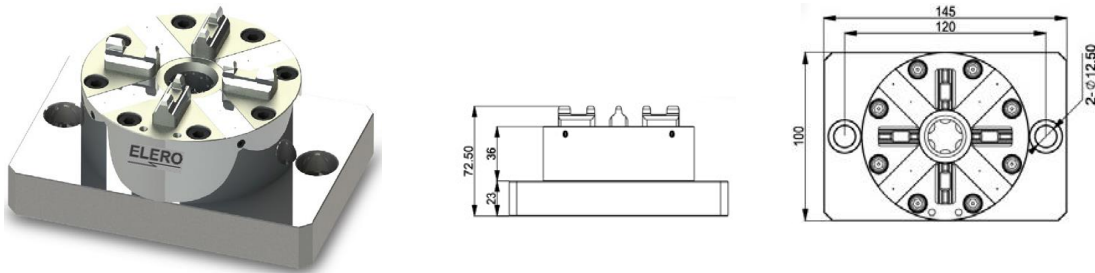
Item No.: EL-L0006 Manual quick chuck ITS50 with connection rod $\varnothing 20$ mm, clamping force 4000N.



Clamping systems compatible with EROW.A

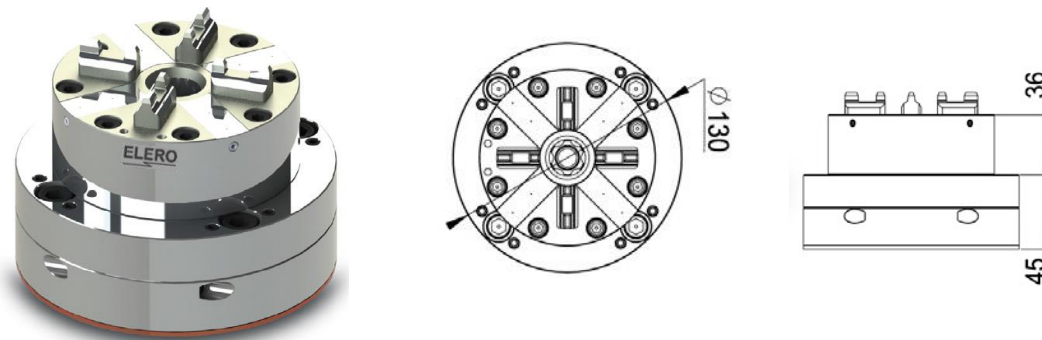
Item No.: EL-G0001

Pneumatic chuck ITS100, with base, clamping force 10 000N.
 Suitable for milling machines, machining centre, grinding machines, EDM wire cutters or EDM die-sinking machines... .



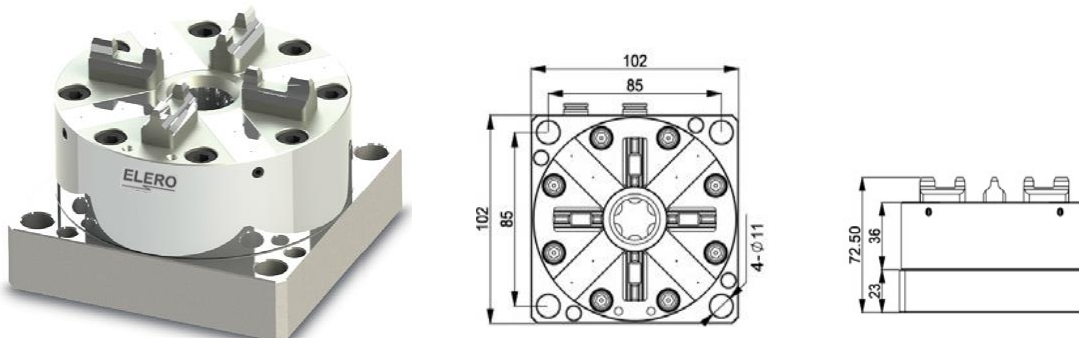
Item No.: EL-G0002

Pneumatic chuck ITS100, with base, clamping force 10 000N.
 Suitable for die-sinking EDM



Item No.: EL-G0003

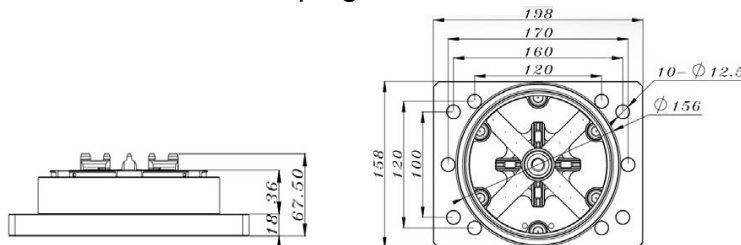
Pneumatic chuck ITS100, with base, clamping force 10 000N.
 Suitable for milling machines, machining centre, grinding machines, EDM wire cutters or EDM die-sinking machines... .



Clamping systems compatible with EROW.A

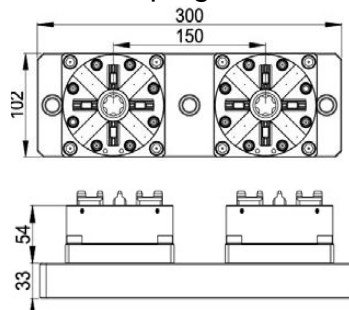
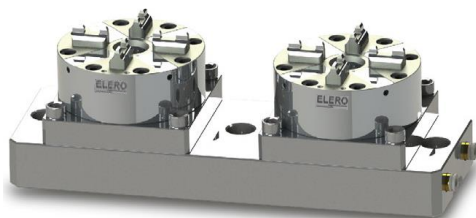
Item No.: EL-R0001

D150mm pneumatic chuck ITS100, with base, clamping force 15 000N.



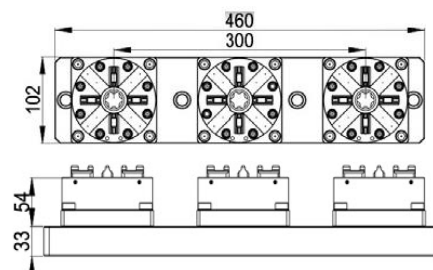
Item No.: EL-G0004

Workholding plate with 2 pneumatic chucks ITS100, clamping force 10 000N.



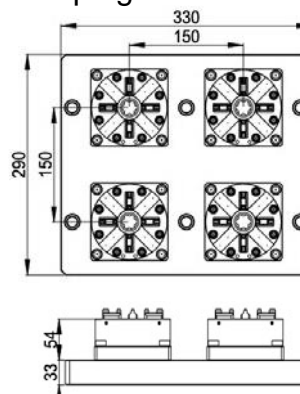
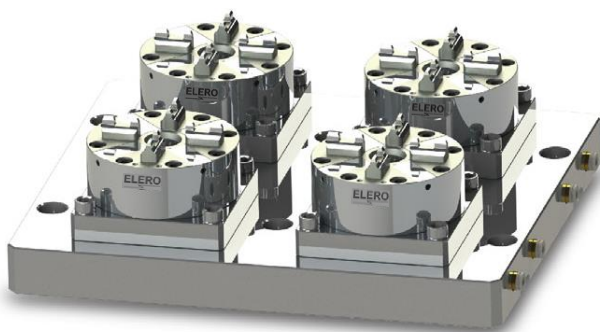
Item No.: EL-G0005

Workholding plate with 3 pneumatic chucks ITS100, clamping force 10 000N.



Item No.: EL-G0006

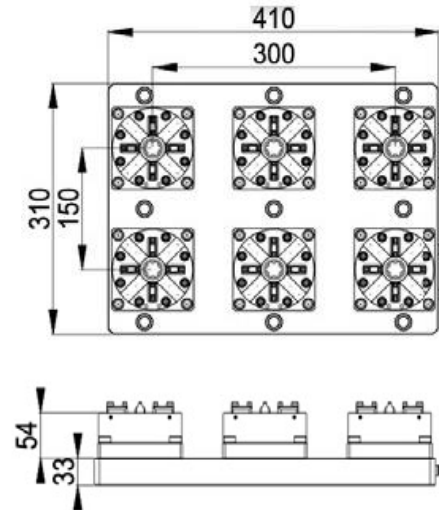
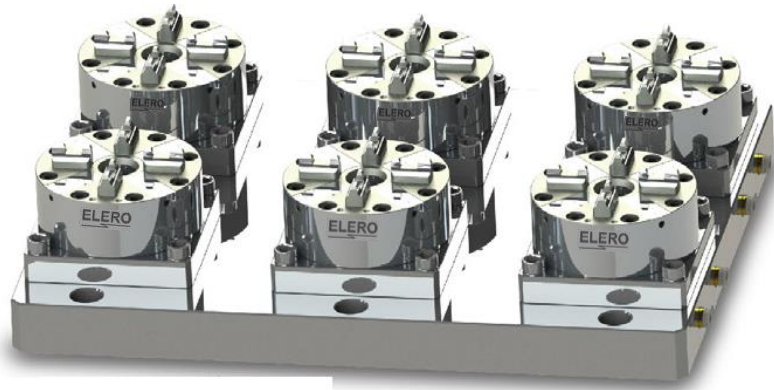
Workholding plate with 4 pneumatic chucks ITS100, clamping force 10 000N.



Clamping systems compatible with EROW.A

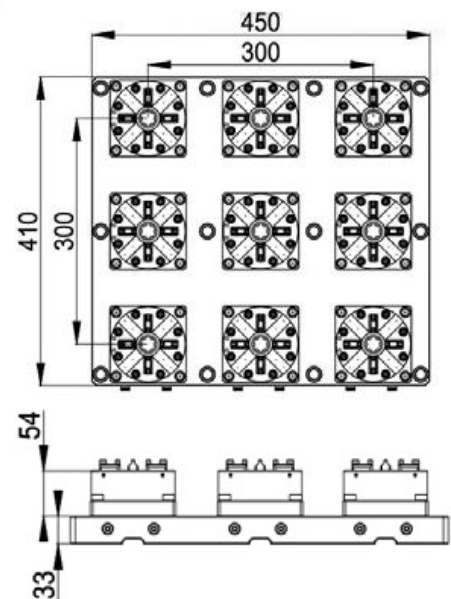
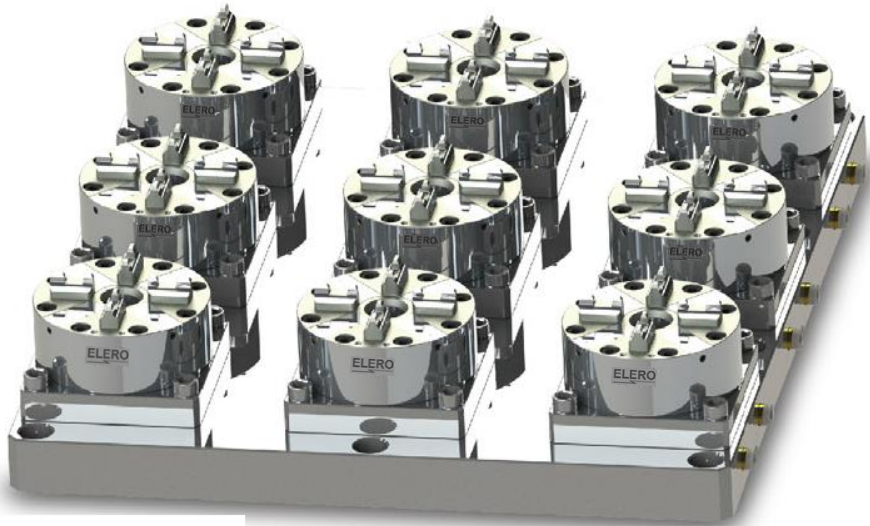
Item No.: EXP-G0007

Workholding plate with 6 pneumatic chucks ITS100, clamping force 10 000N.



Item No.: EXP-G0008

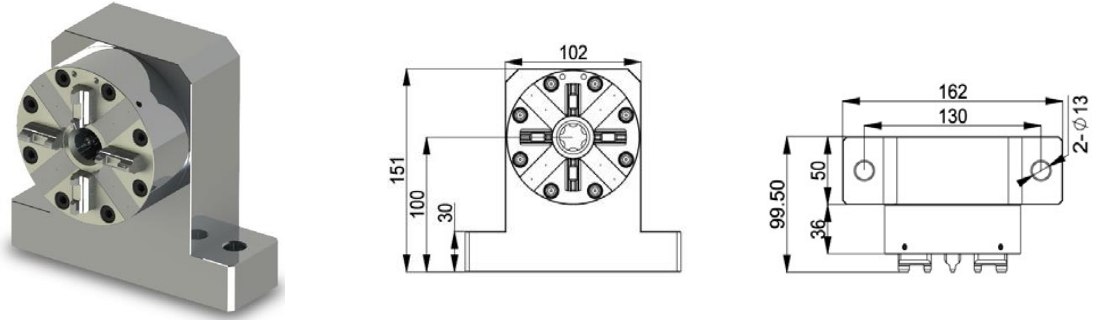
Workholding plate with 9 pneumatic chucks ITS100, clamping force 10 000N.



Clamping systems compatible with EROW.A

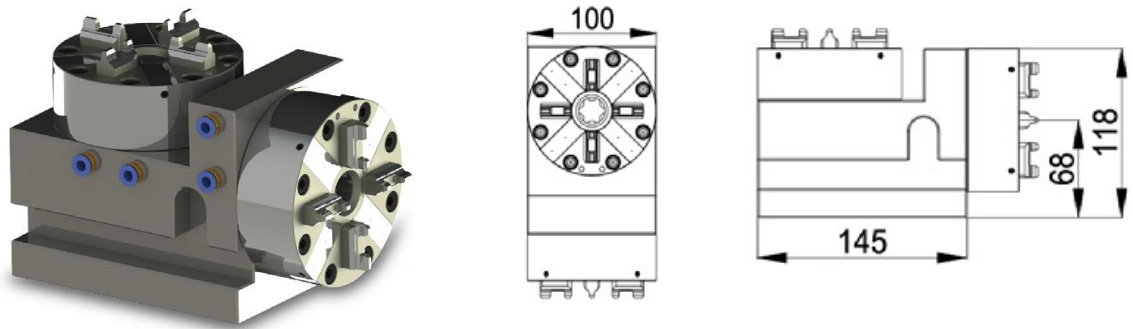
Item No.: EXP-G0009

Vertical pneumatic chuck ITS100, clamping force 10 000N.



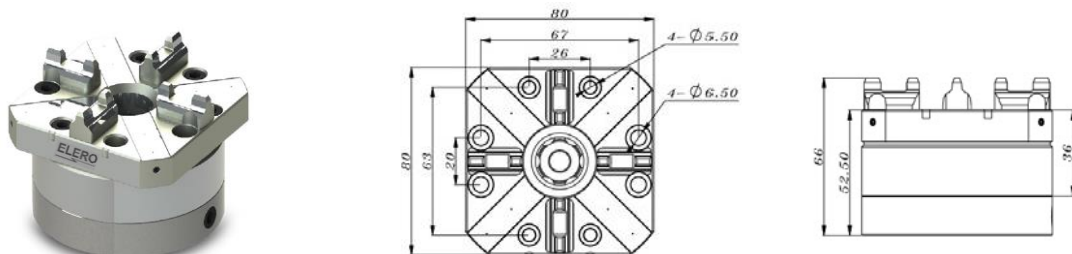
Item No.: EXP-G0010

Horizontal and vertical pneumatic chuck ITS100, clamping force 10 000N.



Item No.: EL-E0001

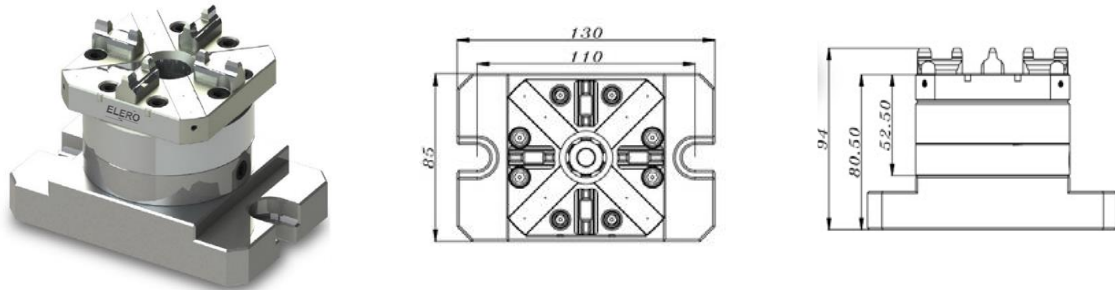
80mm square pneumatic chuck ITS100, clamping force 7000N.



Clamping systems compatible with EROW.A

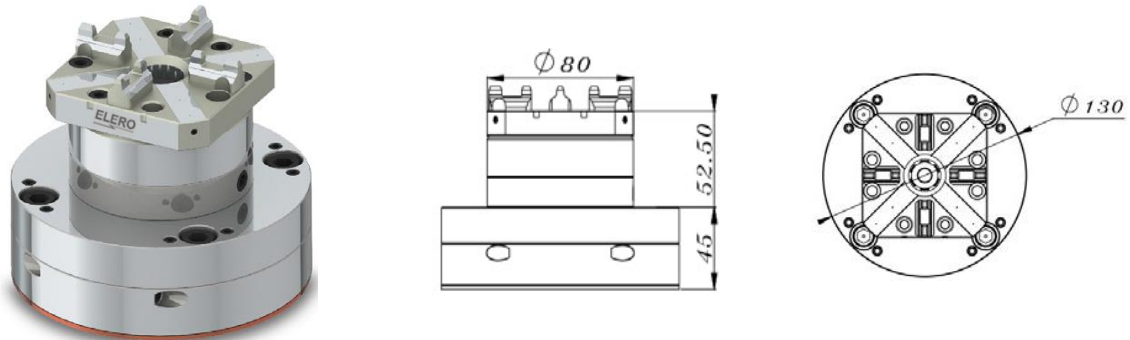
Item No.: EL-E0005

80mm square pneumatic chuck ITS100, with base, clamping force 7000N.

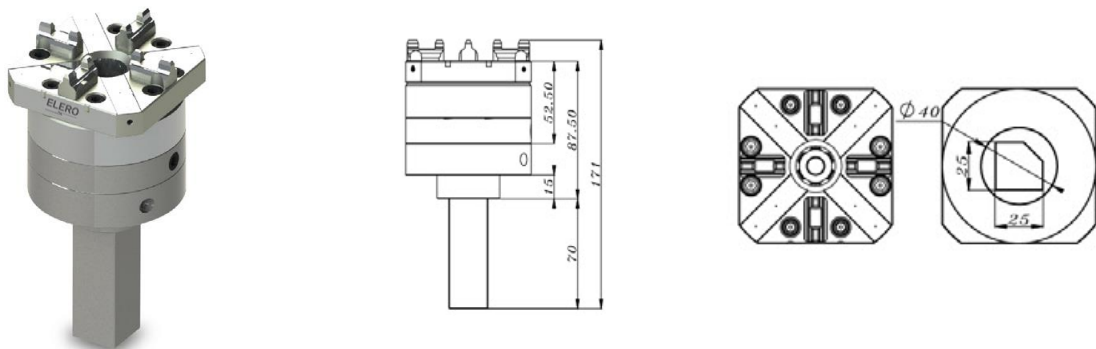


Item No.: EL-E0008

80mm square pneumatic chuck ITS100, with base, clamping force 7000N.



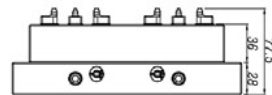
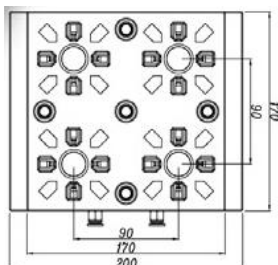
Item No.: EL-E0009 80mm square pneumatic chuck ITS100, with connection rod 25mm, clamping force 7000N.



Clamping systems compatible with EROW.A

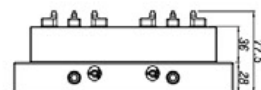
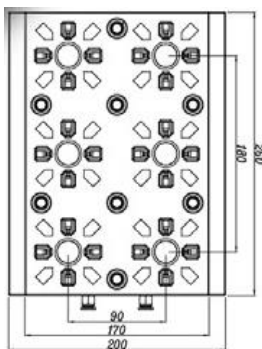
Item No.: EL-F0002

Thin workholding plate with 4 pneumatic chucks ITS50, clamping force 6000N.



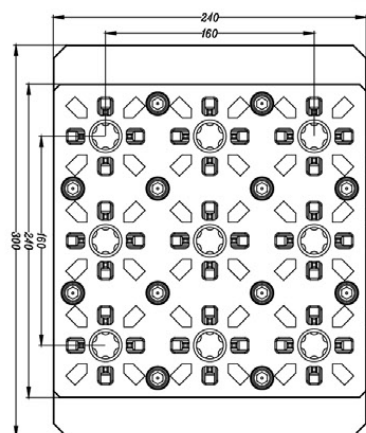
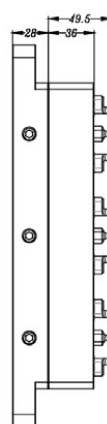
Item No.: EL-F0003

Thin workholding plate with 6 pneumatic chucks ITS50, clamping force 6000N.



Item No.: EL-F0001

Thin workholding plate with 9 pneumatic chucks ITS50, clamping force 6000N.



Clamping systems compatible with EROW.A

Item No.: EL-Q0017 Pneumatic switch for pneumatic chucks control (suitable for EDM)



Item No.: EL-Q0018 Pneumatic switch for pneumatic chucks control (suitable for CNC machines)



Item No.: EL-Q0020 Pneumatic regulator



Item No.: EL-Q0019 Pneumatic hose



Item No.: EL-3M0014A Reduction from EROW.A to 3-R



Item No.: EL-Q0023A Reduction from 3R to EROW.A



Item No.: EL-3M0014B Reduction from EROW.A to 3R

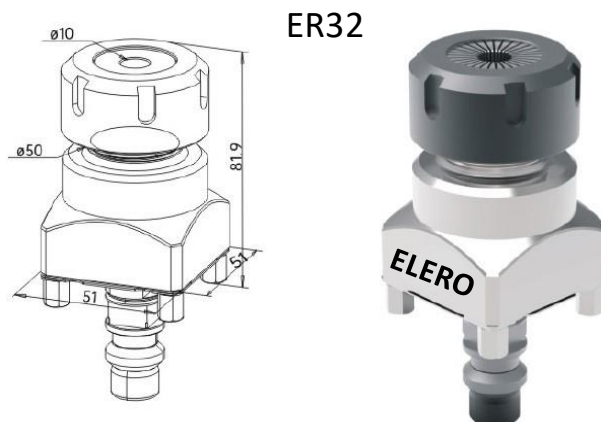


Item No.: EL-Q0023B Reduction from 3-R to EROW.A

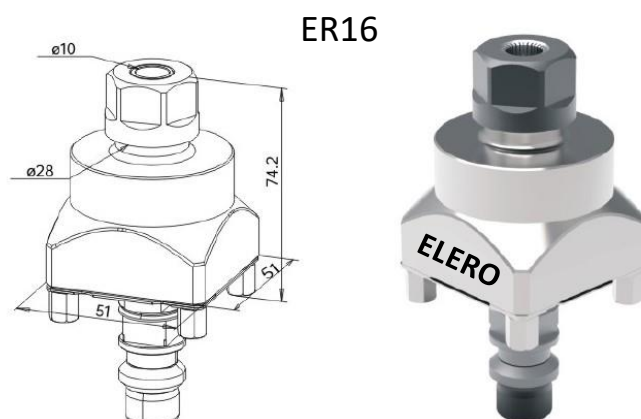


Clamping systems compatible with EROW.A

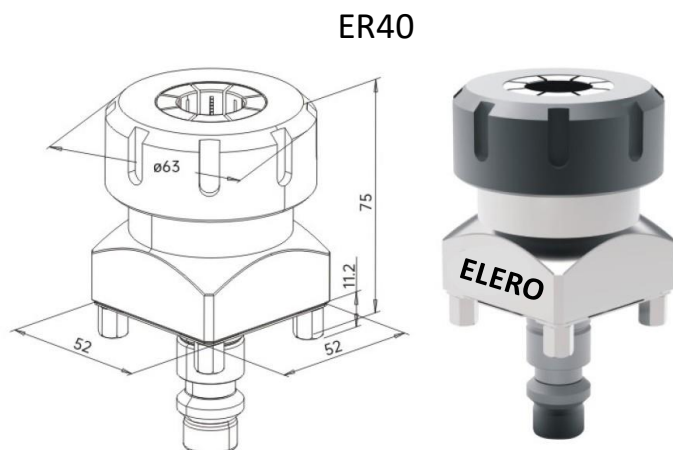
Item No.: EL-M0003 ER32 Collet holder ITS50, for collets ER32, D2 ~ D20mm



Item No.: EL-M0003/16 ER16 collet holder ITS50, for collets ER16, D0,5 ~ D10mm

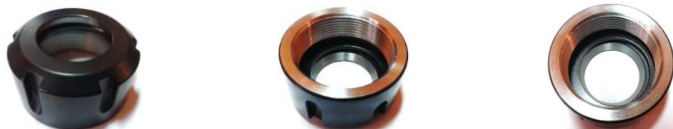


Item No.: EL-M0003/40 ER40 collet holder ITS50, for collets ER40, D3 ~ D26mm



Clamping systems compatible with EROW.A

Item No.:
ER32-UM/62252-02/NH-ER32B Replacement nut of collet holder EL-M0003 for collets



Item No.:ETS32-UM Replacement nut of collet holder EL-M0003 for collets ETS32



Item No.: 62179-01/ER32SET1
Set of high-precision collets ER32, 18 pcs of collets capable clamping the diameters from Ø2 to Ø20mm, in a carry case + key. Also possible to order only single high-precision collet.



Item No.: 62173-01/ER16SET1
Set of high-precision collets ER16, 10 pcs of collets capable Clamping diameters from Ø0,5 to Ø10mm. Also possible to order only single high-precision collet.



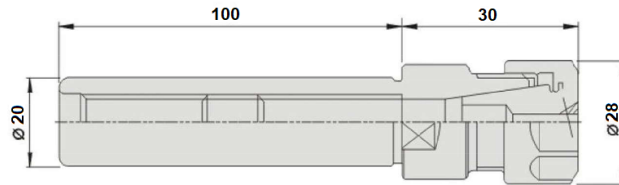
Item No.: 62181-01/ER40SET1
Set of high-precision collets ER40, 23 pcs of collets capable clamping the diameters from Ø3 to Ø 26mm, in a carry case + key. Also possible to order only single high-precision collet



Clamping systems compatible with EROW.A

Item No.: 62120-02/C20-ER16-100

Mini collet chuck holder for collets ER16 with 20mm shank.
 Suitable for clamping of tube electrodes



Item No.:

- 62172-101 High precision collet ER16, Φ 1-0,5mm
- 62172-102 High precision collet ER16, Φ 1,5-1mm
- 62172-103 High precision collet ER16, Φ 2-1mm
- 62172-104 High precision collet ER16, Φ 3-2mm
- 62172-105 High-precision collet ER16, Φ 4-3mm
- 62172-106 High-precision collet ER16, Φ 5-4mm
- 62172-107 High-precision collet ER16, Φ 6-5mm
- 62172-108 High-precision collet ER16, Φ 7-6mm
- 62172-109 High-precision collet ER16, Φ 8-7mm
- 62172-110 High-precision collet ER16, Φ 9-8mm
- 62172-111 High-precision collet ER16, Φ 10-9mm



Item No.:

- C-ER16/0,1-0,5mm Seal for tube elect. 0,10-0,50mm for collets ER16
- C-ER16/0,6-1,0mm Seal for tube elect. 0,60-1,00mm for collets ER16
- C-ER16/1,1-1,5mm Seal for tube elect. 1,10-1,50mm for collets ER16
- C-ER16/1,6-2,0mm Seal for tube elect. 1,60-2,00mm for collets ER16
- C-ER16/2,1-2,5mm Seal for tube elect. 2,10-2,50mm for collets ER16
- C-ER16/2,6-3,0mm Seal for tube elect. 2,60-3,00mm for collets ER16
- C-ER16/3,1-4,0mm Seal for tube elect. 3,10-4,00mm for collets ER16
- C-ER16/4,1-5,0mm Seal for tube elect. 4,10-5,00mm for collets ER16
- C-ER16/5,1-6,0mm Seal for tube elect. 5,10-6,00mm for collets ER16



Method of tube and round electrode clamping in the collet holders



→ **M0003** Collet holder ITS50, for ER32 collets, D2 ~ D20

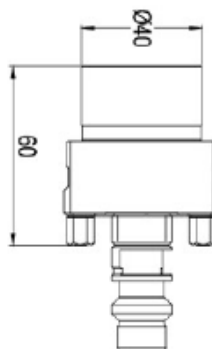
With the high precision collet set 62179-01 / ER32SET1, suitably used according to the electrode diameter in the EL-M0003 collet chuck, can be clamped tube, threaded and round electrodes with diameters Φ 2 ~ Φ 20mm

→ **62120-02/C20-ER16-100** Mini Collet holder for collets ER16
 ith shank 20mm

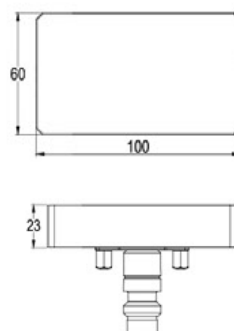
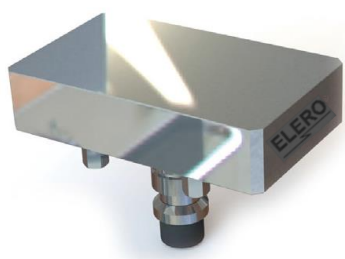
With high precision ER16 collets (62172-101 to 62172-104) sealed with C-ER16/seals, suitably used in the mini collet chuck 62120-02/C20-ER16-100, according to the electrode diameter, can be clamped small tube, threaded and round electrodes with diameters from Φ 0,50mm...

Clamping systems compatible with EROW.A

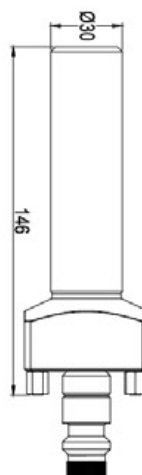
Item No.: EL-N0005
Gauging pin 50x50mm, Φ 40mm, ITS50



Item No.: EL-N0006
Parallel calibration pin 100x60mm, ITS50



Item No.: EL-N0007
Calibration pin Φ 30mm, ITS50

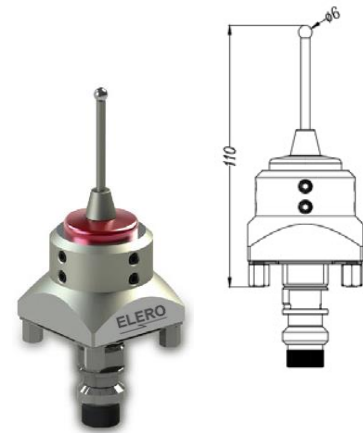


Clamping systems compatible with EROW.A

Centering sensors ITS50, with fixed sensing pin

Item No.:

- EL-N0001 Centering sensor with fixed sensing pin with ball 4mm
- EL-N0001-1 Centering sensor with fixed sensing pin with ball 5mm
- EL-N0002 Centering sensor with fixed sensing pin with ball 6mm
- EL-N0003 Centering sensor with fixed sensing pin with ball 8mm



Replaceable sensing pin for centering sensors EL-N0001, EL-N0002 and EL-N0003:

Item No.:

- RSP-0004 Replaceable sensing pin with ball 4mm
- RSP-0005 Replaceable sensing pin with ball 5mm
- RSP-0006 Replaceable sensing pin with ball 6mm
- RSP-0008 Replaceable sensing pin with ball 8mm



Centering sensors ITS50, with spring-loaded sensing pin

Item No.:

- EL-N0004-2 Centering sensors with spring-loaded sensing pin, with ball 2mm
- EL-N0004-3 Centering sensors with spring-loaded sensing pin, with ball 3mm
- EL-N0004 Centering sensors with spring-loaded sensing pin, with ball 4mm
- EL-N0004-1 Centering sensors with spring-loaded sensing pin, with ball 5mm
- EL-N0004-6 Centering sensors with spring-loaded sensing pin, with ball 6mm



Replaceable sensing pin for spring-loaded centering sensors EL-N0004:

Item No.:

- RSLSP-0002 Replaceable sensing pin with ball 2mm, for spring loaded sensors
- RSLSP-0003 Replaceable sensing pin with ball 3mm, for spring loaded sensors
- RSLSP-0004 Replaceable sensing pin with ball 4mm, for spring loaded sensors
- RSLSP-0005 Replaceable sensing pin with ball 5mm, for spring loaded sensors
- RSLSP-0006 Replaceable sensing pin with ball 6mm, for spring loaded sensors

Clamping systems compatible with EROW.A

Item No.:

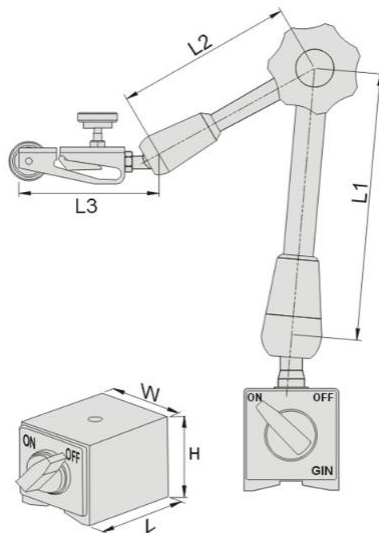
- EL-P0001 Magnetic probe for working table of die sinking EDM, with ball 4mm
- EL-P0002-1 Magnetic probe for working table of die sinking EDM, with ball 5mm
- EL-P0002 Magnetic probe for working table of die sinking EDM, with ball 6mm
- EL-P0003 Magnetic probe for working table of die sinking EDM, with ball 8mm



Item No.: 54945-02/BS340H

Universal arm on magnetic base
 Connecting thread M8, tread length 8,2mm.

54945-02/BS340H					
Arm length			Magnetic base		
L1	L2	L3	L	W	H
135	110	65	60	50	55
Clamping force of magnetic base 80N					
Weight 1,58kg					



Item No.: 55280

High precision sensitive lever indicator 0,002mm for ST1/ST2



Clamping systems compatible with EROW.A

Item No.: EL-Q0005A

Adjusting chuck in X, Y, C axis

For square and round electrode clamping up to diameter Ø22mm

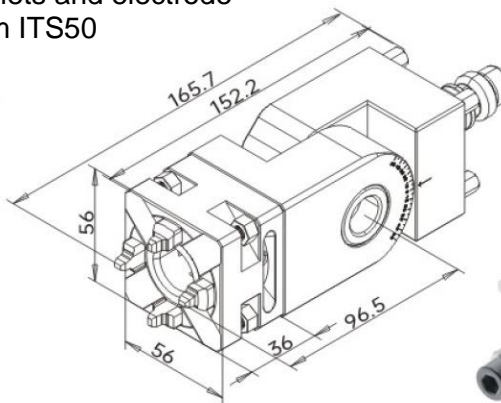
Net weight 5kg, height 112mm.



Item No.: EL-V0001

Angle clamping unit for pallets and electrode holders of clamping system ITS50

Possible to produce with
internal flushing
(optional)



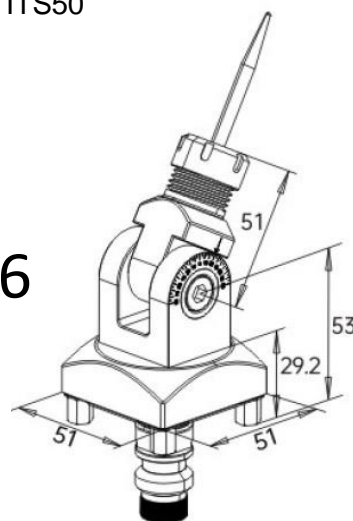
Item No.: EL-V0020

Angle collet chuck electrode holder ER16 / ITS50

Scale 0-90°. Rotation range 0-180°.

For electrodes diameter D 0,5-10mm

ER16



Clamping systems compatible with EROW.A

Item No.: EL-W0015

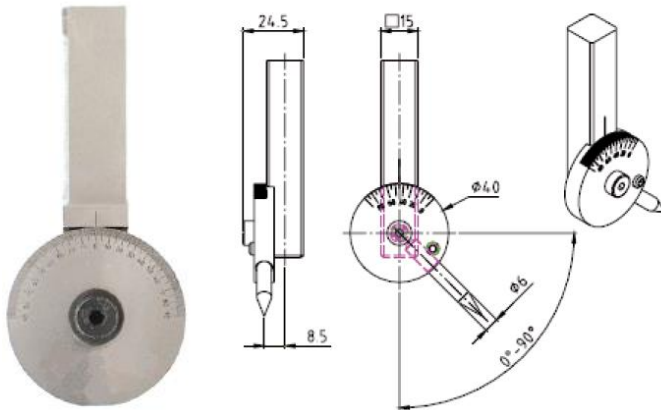
Angle electrode holder ITS50, with indexing by 1°, prismatic hole 15x15mm



For simple clamping and angle setting of electrode; for example when are channel inlets machining.
 Fixation with hydraulic valve in the middle of rotation – fixing the position without setting angle change.
 Simple and quick angle setting allows planchet with indexing by 1°
 Electrodes are clamped into the prismatic hole 15x15mm.
 Scale 0-90°.
 Rotation range 0-180°
 Max. load capacity 5kg.

Item No.: EL-F0006

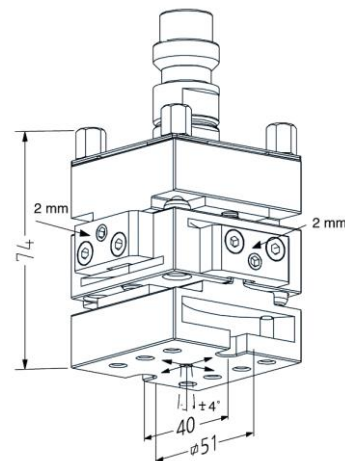
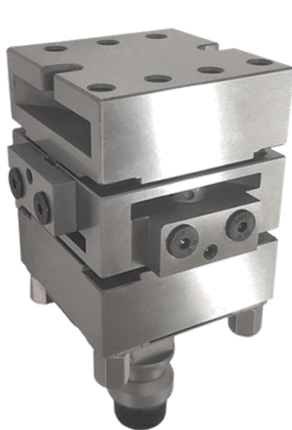
Angle holder for electrodes Ø6mm with shank 15x15mm, angle setting 0-90° through the nonius



Precision square shank 15x15mm for clamping of angle holder.
 Fluently adjustable 0-90° through the nonius.
 Clamping electrode diameter Ø6mm.

Item No.: EL-W0002

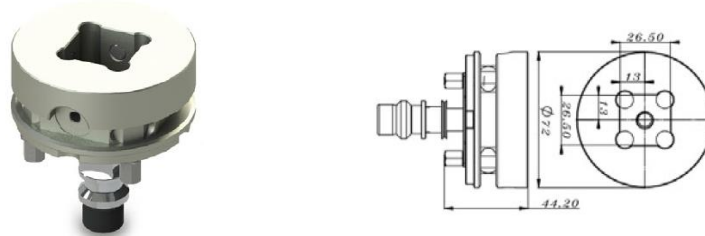
Universal stainless holder with cross slide movement 2mm and pendulum tilting +/- 4°



Clamping systems compatible with EROW.A

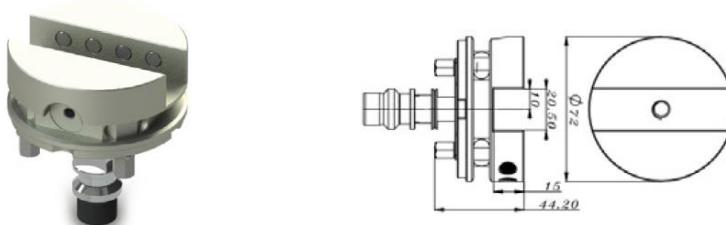
Item No.:

EL-U0001 D72 stainless steel clamping pallet ITS, hole 26,5 x 26,5mm



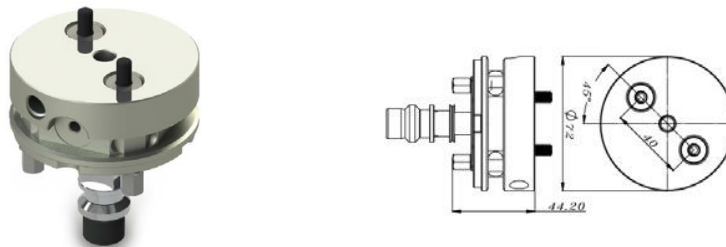
Item No.:

EL-U0002 D72 stainless steel clamping pallet ITS, groove 20,5mm



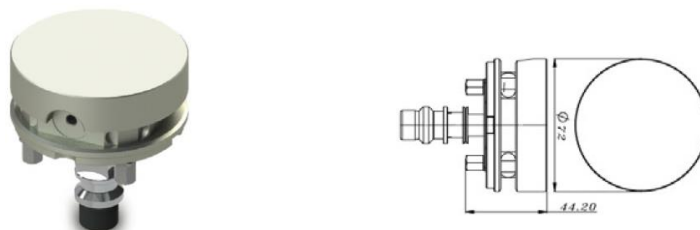
Item No.:

EL-U0003 D72 stainless steel clamping pallet ITS, flat with fastening screws



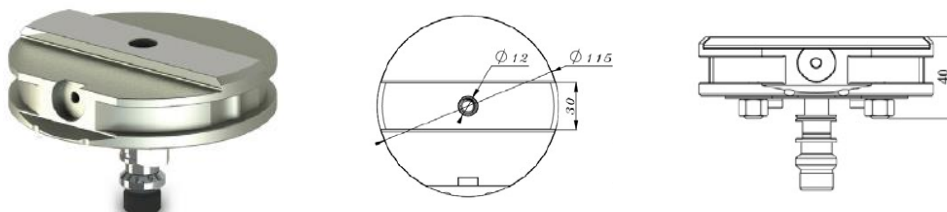
Item No.:

EL-U0004 D72 stainless steel clamping pallet ITS, flat



Item No.:

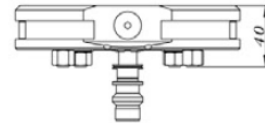
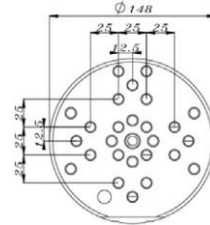
EL-U0005 D115 stainless steel reference pallet ITS



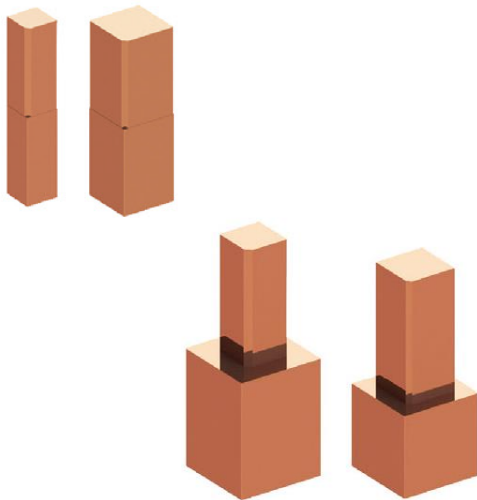
Clamping systems compatible with EROW.A

Item No.:

EL-U0006 D148 stainless steel reference pallet ITS, hole raster 25mm



Copper and graphite electrodes blank



Item No.	Dimensions	Shank Length	Packing
EL-R0001	15x15x80 mm	32mm	20pcs/set
EL-R0002	25x25x75 mm	40mm	20pcs/set
EL-R0003	25x25x90 mm	40mm	20pcs/set

Item No.	Shank	Head	Total length	Packing
EL-R0004	15x15 mm	20x20 mm	75 mm	10pcs
EL-R0005		25x25 mm	75 mm	10pcs
EL-R0006	Shank length	30x30 mm	75 mm	10pcs
EL-R0007		35x35 mm	75 mm	10pcs
EL-R0008	32mm	40x40 mm	75 mm	10pcs

Item No.	Shank	Head	Total length	Packing
EL-R0009	25x25 mm	30x30 mm	75 mm	10pcs
EL-R0010		30x30 mm	90 mm	10pcs
EL-R0011	Shank length	40x40 mm	75 mm	10pcs
EL-R0012		40x40 mm	90 mm	10pcs
EL-R0013	40mm	50x50 mm	85 mm	10pcs

Item No.:

EL-X0001 Plastic shelf for 12 pcs standard holders ITS50
 194x258x67mm



Item No.:

EL-X0002 Aluminium shelf for 20 pcs standard holders ITS50
 255x390x67mm

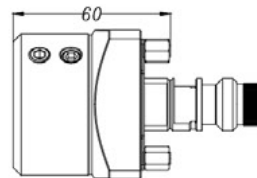
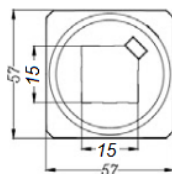
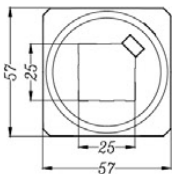
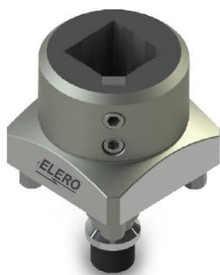


Clamping systems compatible with EROW.A

Item No.: EL-Q0026 Working kart 970x490x900mm
 for pallets and holders ITS50, ITS100

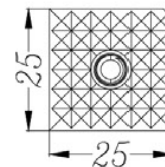
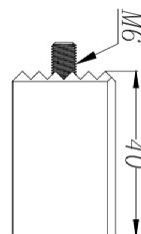


Item No.:
 EL-M0001 Precision stainless steel holder, with clamping hole for electrode shank 25x25mm
 EL-M0004 Precision stainless steel holder, with clamping hole for electrode shank 15x15mm

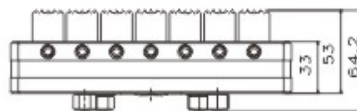
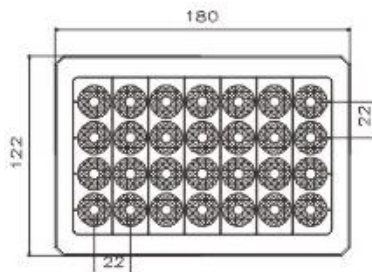


Notice: Clamping spigot is not part of packaging

Item No.:
 EL-M0002 Sharp forming teeth stainless steel rod, shank 25x25mm



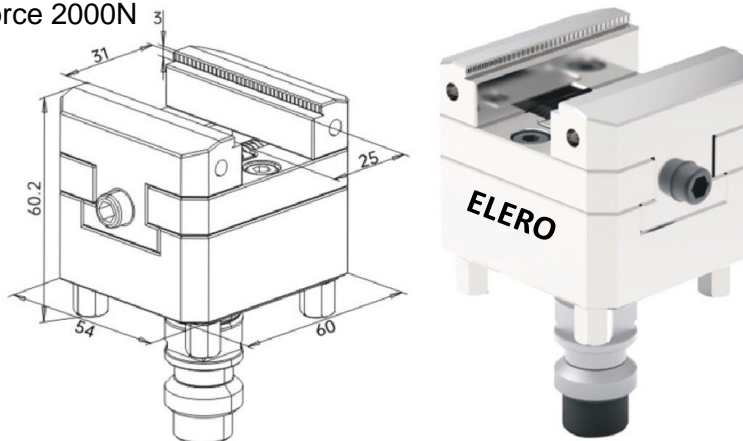
Item No.: EL-V0007 Stainless universal electrode holder 180x122x64,2mm, with sharp forming teeth



Clamping systems compatible with EROW.A

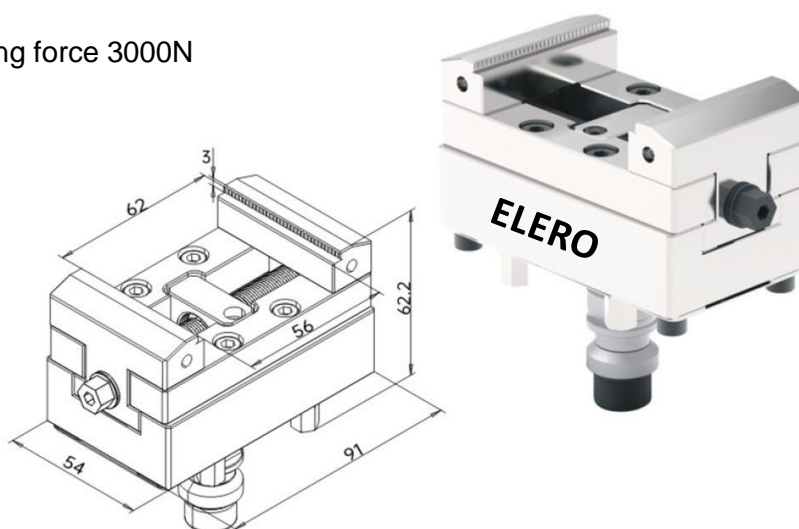
Obj. č.: EL-HQ0002

Self centering vise ITS50,
Clamping range 0-31mm, clamping force 2000N



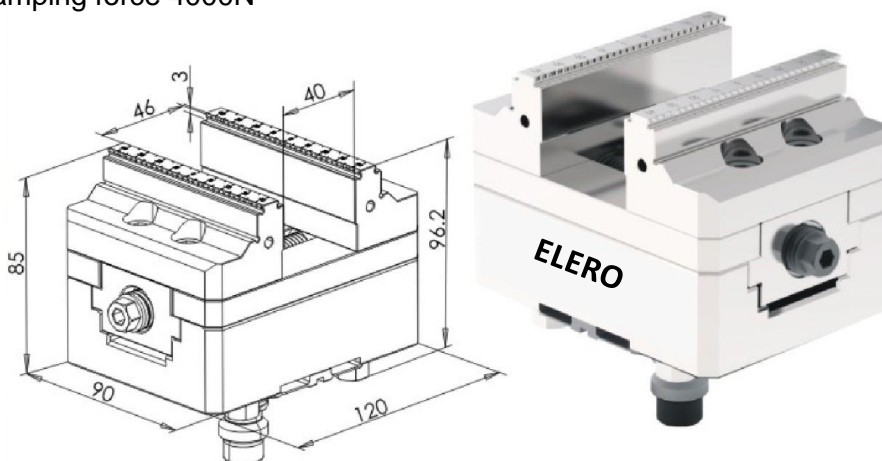
Obj. č.: EL-ER62

Self centering vise ITS100,
Clamping range 0-62mm, clamping force 3000N



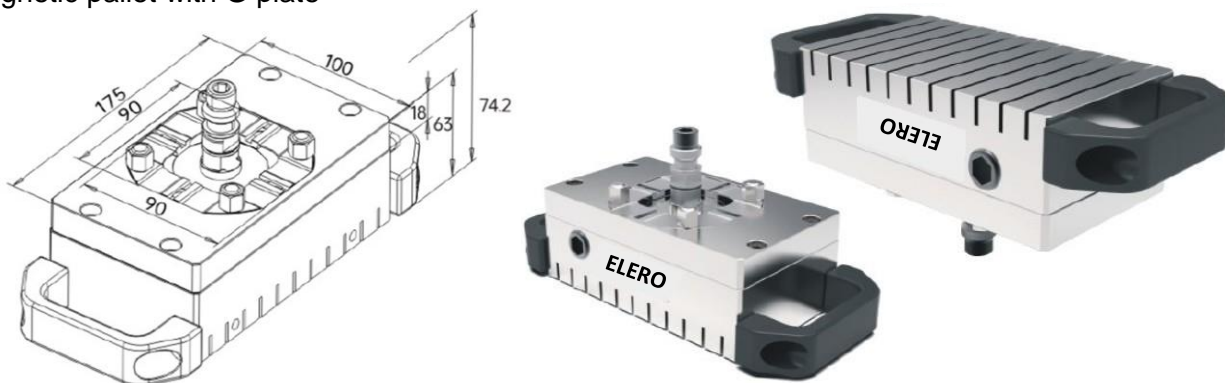
Obj. č.: EL-ER46X90

Self centering vise ITS100 with G plate,
Clamping range 0-46mm, clamping force 4000N

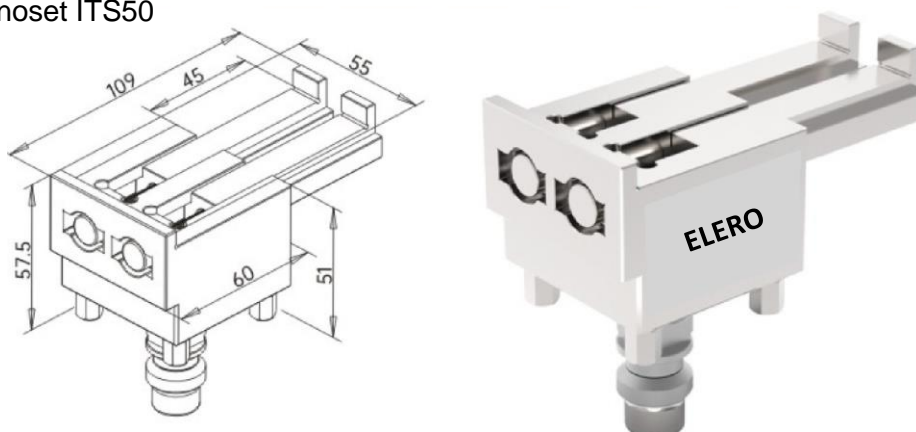


Clamping systems compatible with EROW.A

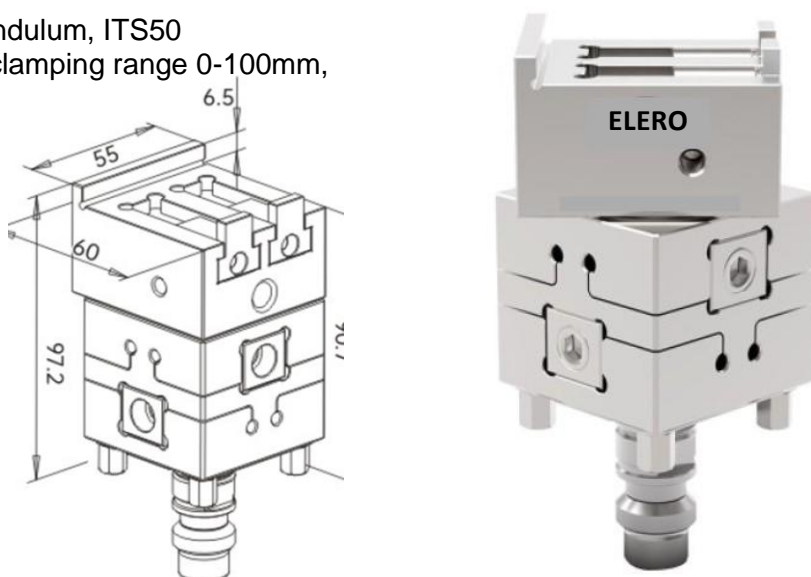
Obj. č.: EL-V0003
Magnetic pallet with G plate



Obj. č.: EL-T0021
Precision toolmaker vise Unoset ITS50
Clamping range 0-100mm.



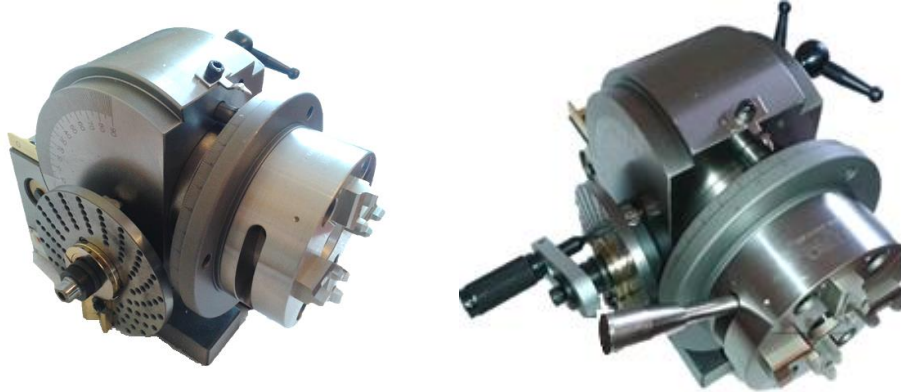
Obj. č.: EL-T0002
Precision toolmaker vise – pendulum, ITS50
With microadjusting in 3axis, clamping range 0-100mm,
angle setting 0-360°



Clamping systems compatible with EROW.A

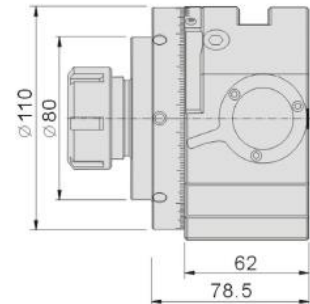
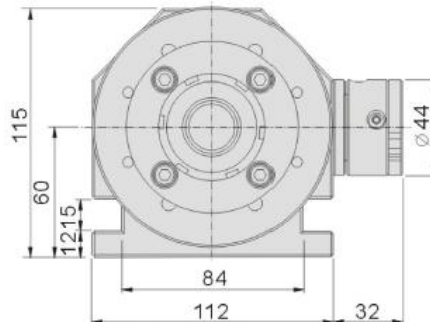
Item No.: EL-V0004

Dividing device with chuck ITS100, tilting +90°/-10°, with fine tuning 360°



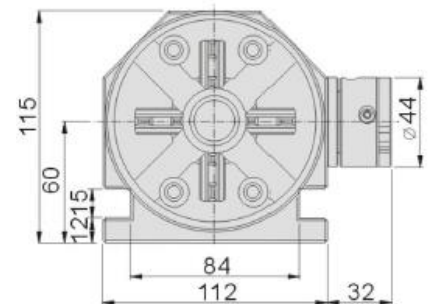
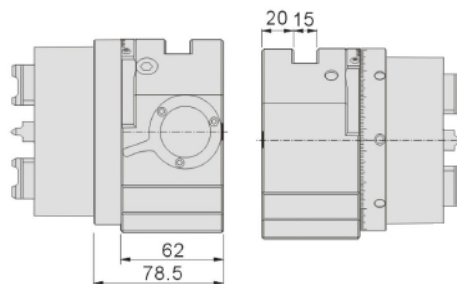
Item No.: 53210-04

Dividing device stainless steel with fine tuning 360°, with ER32 collets chuck.
 Possible to order also with ER20 or ER50 collets chuck. Clamping range $\varnothing 2 - \varnothing 34\text{mm}$.



Item No.: 53210-10

Dividing device stainless steel, with manual quick chuck ITS100, with fine tuning 360°, compatible with EROW.A

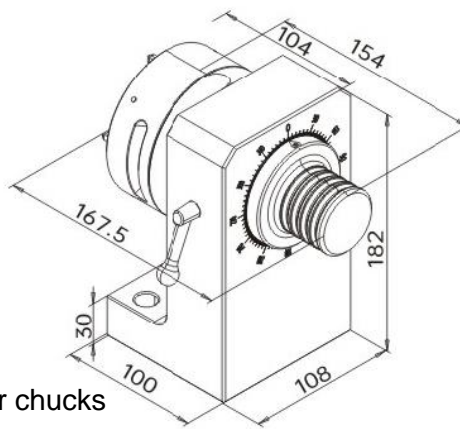


Clamping systems compatible with EROW.A

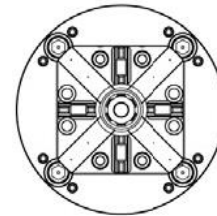
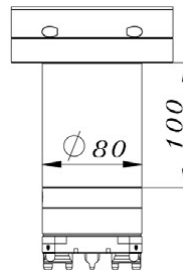
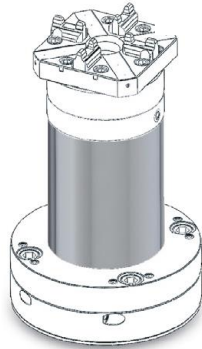
Item No.: EL-V0005
Automatic 90° rotating pneumatic device
with chuck ITS100



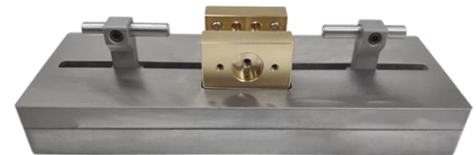
Item No.: EL-V0006
Manual dividing device
with quick chuck ITS100



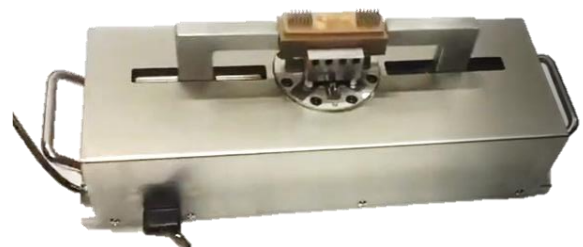
Item No.: EL-Q0021
Extension aluminium arm for chucks



Item No.: EL-Q0022
Electrode centering device



Item No.: EL-Q0022A
Electrode centering device
with pneumatic chuck ITS100



Clamping systems compatible with EROW.A

Item No.: EL-AC001
Adaptor from ITS50 to Compact



Item No.: EL-AC002
Basic holder Compact



Item No.: EL-AC003
Extension holder Compact D30x52,5mm



Item No.: EL-AC004
Extension holder Compact D30x102,5mm



Item No.: EL-AC005
Adaptor 90° from ITS50 to Compact

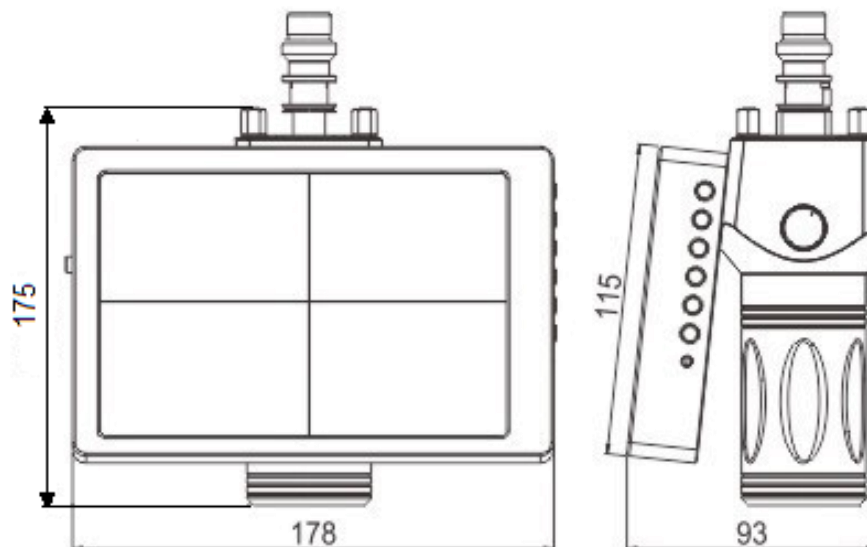


Clamping systems compatible with EROW.A

Item No.: EL-3080E Camera detector compatible with EROW.A ITS



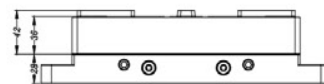
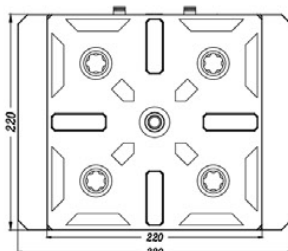
Screen size/pixels	7" / 1080
Visual accuracy	±0,003mm
Magnification's multiples	50 times
Angle setting	each 15"
Automatic edge detection	flash after edge finding (cross changes the colour)
Mark-line (cross) colours	White, Red, Green, Blue, Black
Rotation angle	Can manually angle rotate in steps of 15"
Focus distance	50-60mm over the workpiece
Light source	LED lamp groups with adjustable intensity
Source	Lithium battery 4800mA
Charger	12V (2A)
Dimensions	178x175x93mm
Weight	2kg
Package	silver suitcase



Clamping systems compatible with EROW.A

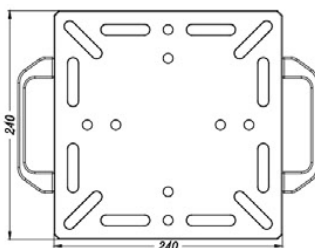
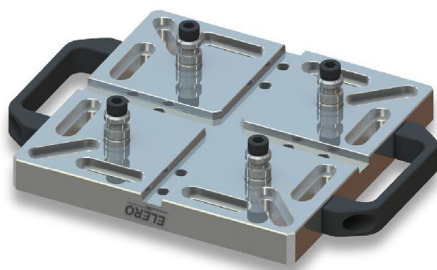
Item No.: EL-H0001

Pneumatic chuck for heavy duty machining, clamping force 24 000N.



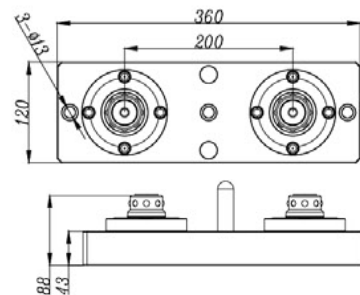
Item No.: EL-H0002

Pallet for heavy duty machining, use only with pneumatic chuck EL-H0001



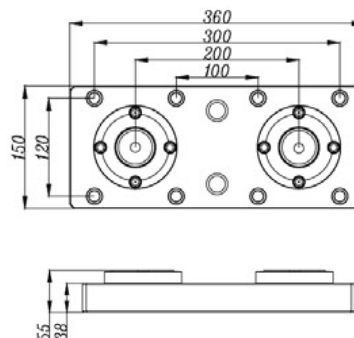
Item No.: EL-J0002

Workholding plate with 2 pneumatic chucks, for heavy duty machining.
 Clamping force 20 000N.



Item No.: EL-J0001

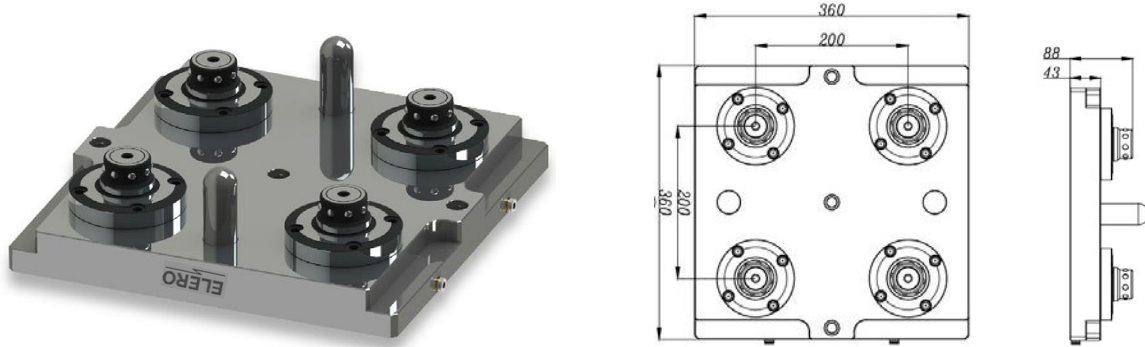
Pallet with 2 pneumatic chucks, use only with EL-J0002



Clamping systems compatible with EROW.A

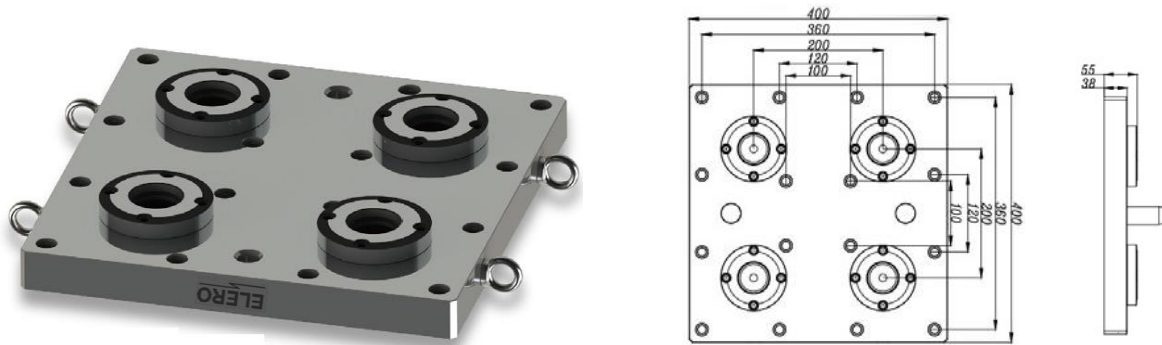
Item No.: EL-J0004

Workholding plate with 4 pneumatic chucks, for heavy duty machining
 Clamping force 20 000N.



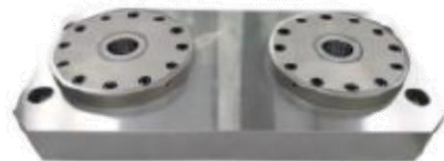
Item No.: EL-J0003

Pallet with 4 pneumatic chucks, use only with EL-J0004



Item No.: EL-MTS0001

Work-holding plate
 with 2 pneumatic chucks MTS



Item No.: EL-MTS0004

Pallet for using
 with work-holding plate EL-MTS0001



Clamping systems compatible with EROW.A

Item No.: EL-MTS0002
Work-holding plate
with 4 pneumatic chucks MTS



Item No.: EL-MTS0005
Pallet for using
with work-holding plate EL-MTS0002



Item No.: EL-MTS0003
Work-holding plate
with 6 pneumatic chucks MTS



Item No.: EL-MTS0006
Pallet for using
with work-holding plate EL-MTS0003



Item No.: EL-MTS0007
MTS chuck



Item No.: EL-MTS0008
Clamping spigot MTS



Item No.: EL-MTS0009
Clamping compensation spigot MTS

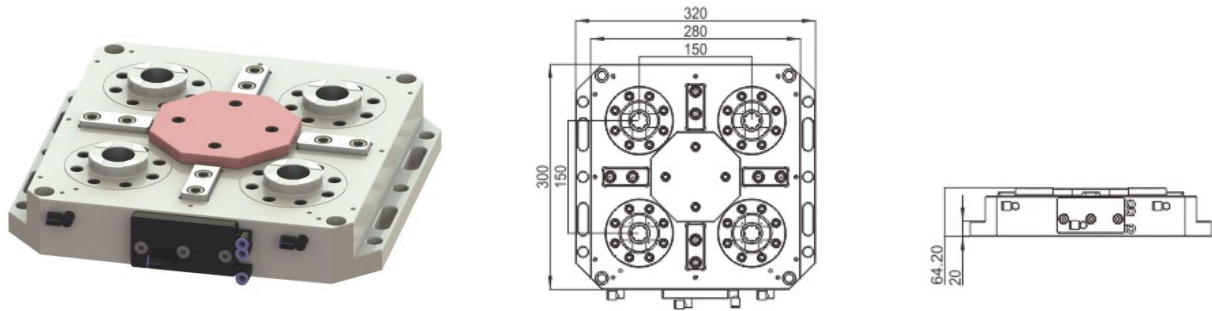


Item No.: EL-MTS0010
Clamping centering spigot MTS

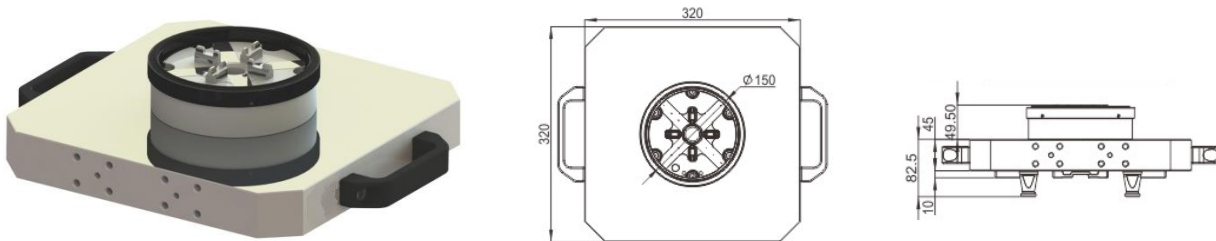


Clamping systems compatible with EROW.A

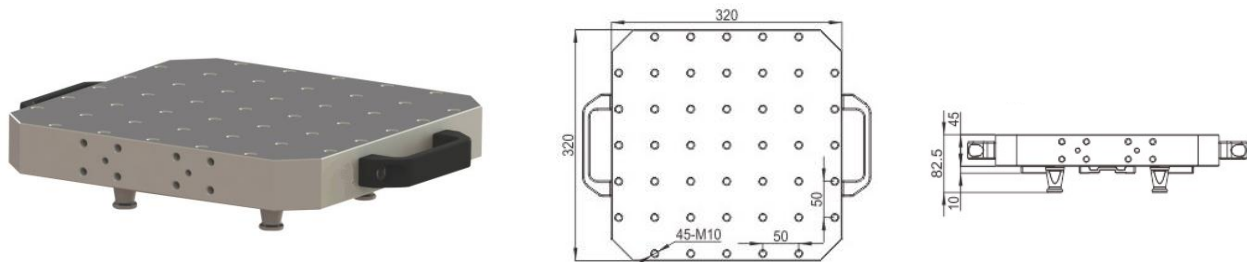
Item No.: EL-UPC0001 Pneumatic chuck UPC



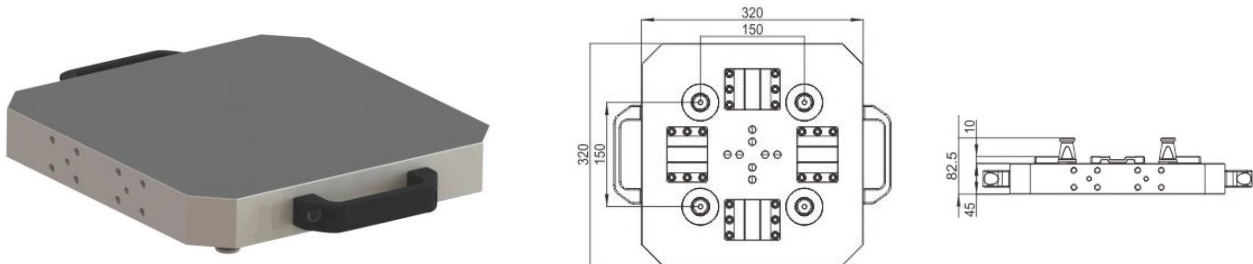
Item No.: EL-UPC0002 UPC holder with pneumatic power chuck, ITS100



Item No.: EL-UPC0003 UPC holder with holes raster 45xM10



Item No.: EL-UPC0004 UPC holder

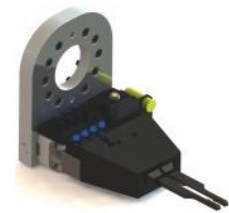


Item No.: EL-UPC0005 UPC reference segments

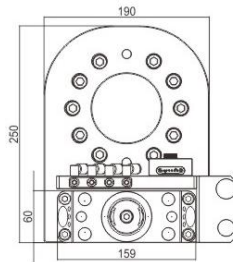
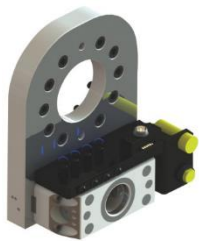


Clamping systems compatible with EROW.A

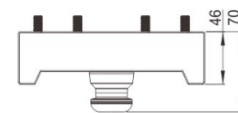
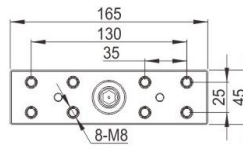
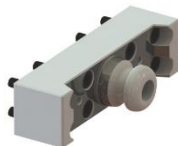
Clamping segments for automatic loading systems



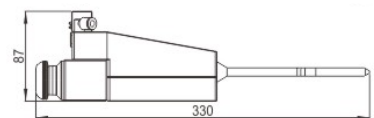
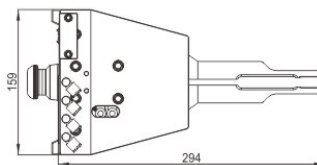
Item No.: EL-M1002 Gripper UPC, MTS



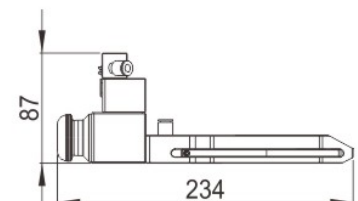
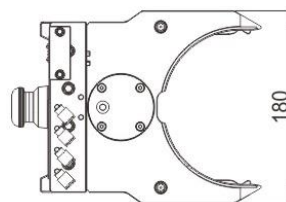
Item No.: EL-M1003 Gripper link



Item No.: EL-M1004 Gripper ITS50

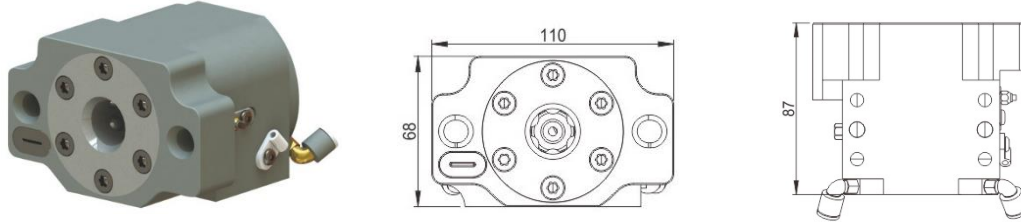


Item No.: EL-M1005 Gripper ITS D148

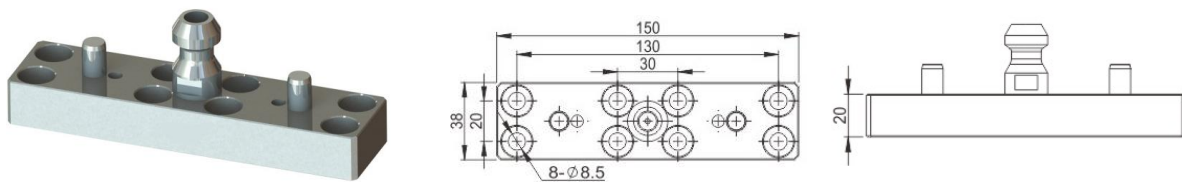


Clamping systems compatible with EROW.A

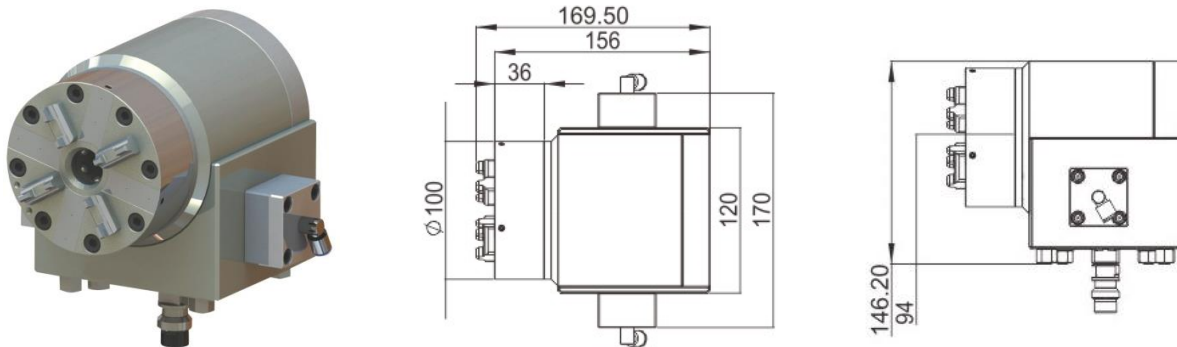
Item No.: EL-M1006 RCS Gripper for UPC holders



Item No.: EL-M1007 Gripper link



Item No.: EL-M1008 Pneumatic rotary device with clamping chuck ITS100



Item No.: EL-M1009 Pneumatic rotary device in 2 axis,
 with clamping chuck ITS100

