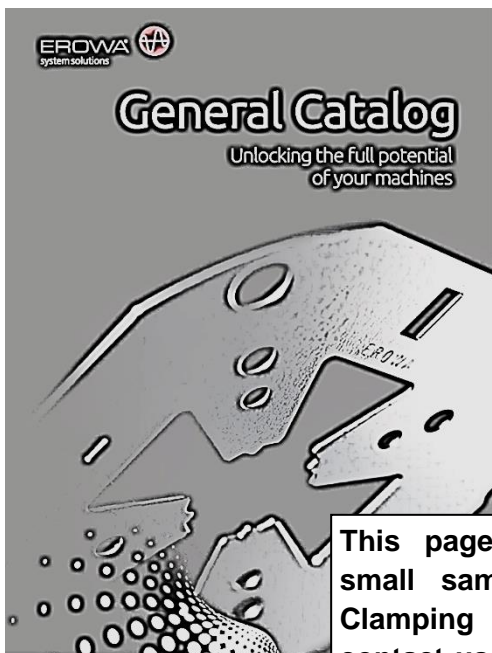


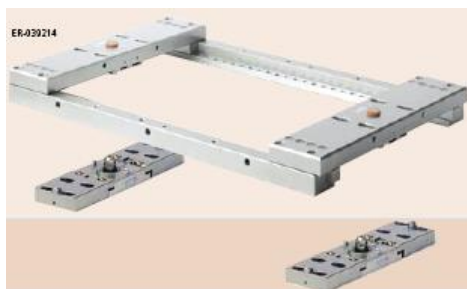
CLAMPING SYSTEMS

- Clamping system EROWA
- Clamping system SYSTEM 3R
- Clamping system ELERO for EDM wire cutters - WEDM
- Clamping system ELERO for electrode production for die-sinking EDM – palletisation compatible with EROWA
- Clamping system ELERO for electrode production for die-sinking EDM – palletisation compatible with 3-R

EROWA is the most widely used clamping system in the world.



This page shows a very small sample of EROWA Clamping Systems. Please contact us for full details of their full range.



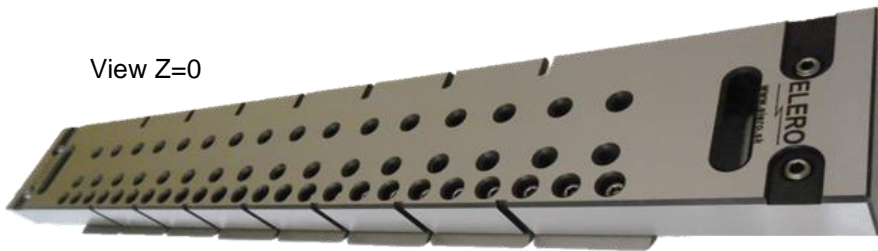
CLAMPING SYSTEM ELERO FOR EDM WIRE CUTTERS - WEDM

High-precision clamping system for EDM wire cutters

Item No.: DSRSSM8 L= ???mm

Double sided ruler stainless steel Z=0 also Z=+5mm, custom made, clamping distance = to dimension of EDM wire cutter working table, with micro-adjusting. Option M8, alternatively M6, ...

View Z=0



View Z+5mm



👍 It is among the 7 best-selling clamps for wire cutters

Item No.: MACSS60X220

Adjustable clamp - stainless steel 60x220+5mm, M8, with micro adjusting, Z=0 also Z=+5mm

Top View



Bottom View



Detail

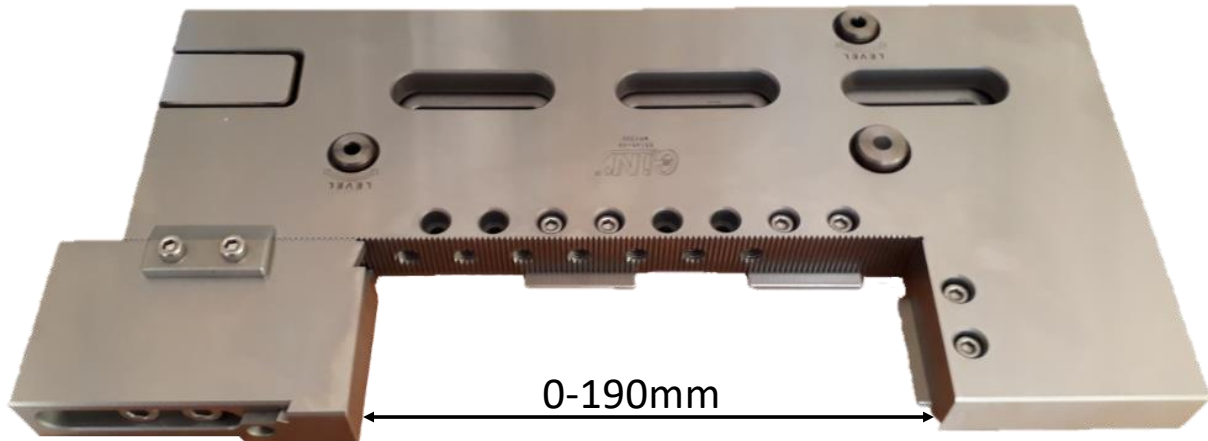


👍 It is among the 7 best-selling clamps for wire cutters

High-precision clamping system for EDM wire cutters

Item No.: 53145-02/WPV320

High-precision stainless steel vice with 3D micro adjusting
in 3 axis, clamping range 0-190mm



👍 It is among the 7 best-selling clamps for wire cutters

Item No.: TCSS23x70x12

Top clamp – stainless steel, 23x70x12mm, M8
Hardened treatment



Item No.: TCSS23x90x12

Top clamp – stainless steel, 23x90x12mm, M8
Hardened treatment



Item No.: TCSS22x60x12+18

Top clamp - stainless steel, 22x60x12+18mm, M8
Hardened treatment



Item No.: HCSPSSM8L30 L=30mm

Item No.: HCSPSSM8L50 L=50mm

Item No.: HCSPSSM8L100 L=100mm

Hexagonal connectable support pillars stainless steel
with outer and inner thread M8



High-precision clamping system for EDM wire cutters

Item No.: SCESSM8

Set - 181 pieces of clamping elements stainless steel M8 - screws, nuts, washers, clamps and hexagonal support pillars in practical box



It is among the 7 best-selling clamps for wire cutters

Set consist of:

Clamping screws stainless steel M8 with hexagon socket head

Item No.:

- CSSS M8x20mm – 8pcs
- CSSS M8x30mm – 8pcs
- CSSS M8x40mm – 8pcs
- CSSS M8x50mm – 8pcs
- CSSS M8x60mm – 8pcs
- CSSS M8x70mm – 8pcs
- CSSS M8x80mm – 8pcs
- CSSS M8x90mm – 8pcs
- CSSS M8x100mm – 8pcs
- CSSS M8x110mm – 8pcs
- CSSS M8x120mm – 8pcs
- CSSS M8x140mm – 8pcs
- CSSS M8x150mm – 8pcs
- CSSS M8x160mm – 8pcs



Item No.: CTRSS M8x320

Clamping threaded rods stainless steel M8x320mm – 8pcs

Item No.: NSS M8

Nut stainless steel M8 – 8pcs

Item No.: WSS D8

Washer stainless steel Ø=8mm – 8pcs

Item No.: TCSS23x70x12

Top clamp - stainless steel M8, 23x70x12mm hardened – 8pcs

Item No.: TCSS23x90x12

Top clamp - stainless steel M8, 23x90x12mm hardened – 8pcs

Item No.: TCSS22x60x12+18

Top clamp - stainless steel M8, 22x60x12+18mm hardened – 4pcs

Hexagonal connectable support pillars stainless steel with outer and inner thread M8

Item No.: HCSPSSM8L30

L=30mm - 8pcs

Item No.: HCSPSSM8L50

L=50mm - 8pcs

Item No.: HCSPSSM8L100

L=100mm - 8pcs

Item No.: PBSCSS

Plastic box for set of clamping elements stainless steel – empty, 290x340x205mm

Possible to order individual elements from set separately. We can provide different sizes of clamps and clamping screws with hexagon socket head in different lengths, diameters and in stainless finish.

High-precision clamping system for EDM wire cutters

Item No.: SCESSM6

Set - 181 pieces of clamping elements stainless steel M6 - screws, nuts, washers, clamps and hexagonal support pillars in practical box

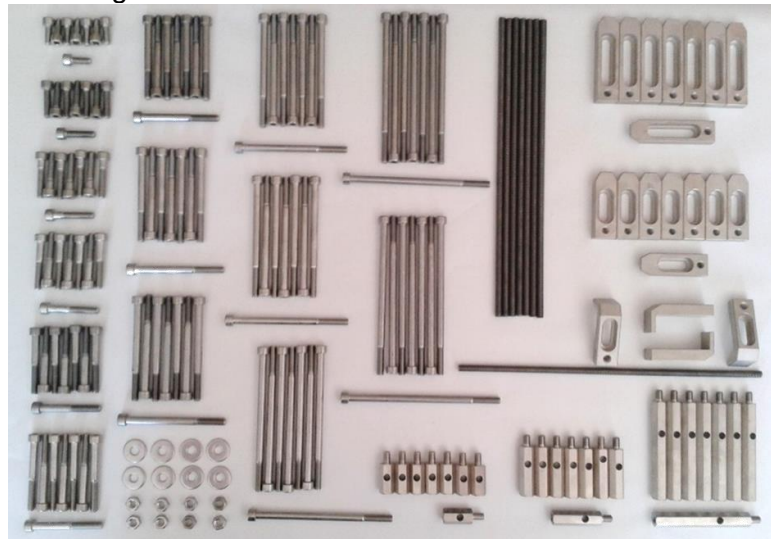


Set consist of:

Clamping screws stainless steel M6 with hexagon socket head

Item No.:

- CSSS M6x20mm – 8pcs
- CSSS M6x30mm – 8pcs
- CSSS M6x40mm – 8pcs
- CSSS M6x50mm – 8pcs
- CSSS M6x60mm – 8pcs
- CSSS M6x70mm – 8pcs
- CSSS M6x80mm – 8pcs
- CSSS M6x90mm – 8pcs
- CSSS M6x100mm – 8pcs
- CSSS M6x110mm – 8pcs
- CSSS M6x120mm – 8pcs
- CSSS M6x140mm – 8pcs
- CSSS M6x150mm – 8pcs
- CSSS M6x160mm – 8pcs



Item No.: CTRSS M6x320

Clamping threaded rods stainless steel M6x320mm – 8pcs

Item No.: NSS M6

Nut stainless steel M6 – 8pcs

Item No.: WSS D6

Washer stainless steel Ø=6mm – 8pcs

Item No.: TCSS23x70x12/M6

Top clamp - stainless steel M6, 23x70x12mm hardened – 8pcs

Item No.: TCSS23x90x12/M6

Top clamp - stainless steel M6, 23x90x12mm hardened – 8pcs

Item No.: TCSS22x60x12+18/M6

Top clamp - stainless steel M6, 22x60x12+18mm hardened – 4pcs

Hexagonal connectable support pillars stainless steel with outer and inner thread M6

Item No.: HCSPSSM6L30
L=30mm - 8pcs

Item No.: HCSPSSM6L50
L=50mm - 8pcs

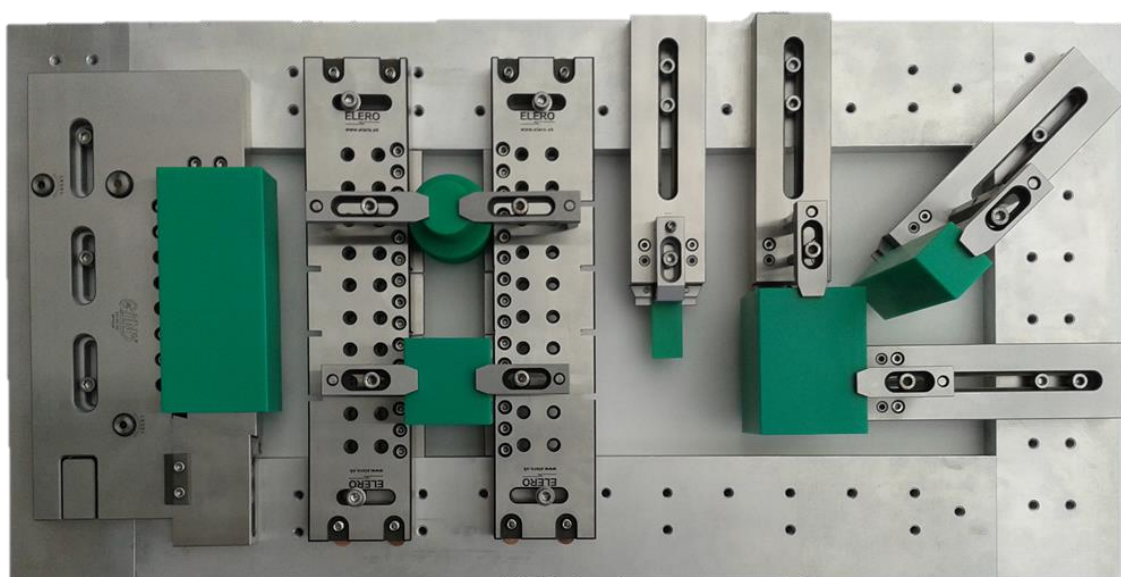
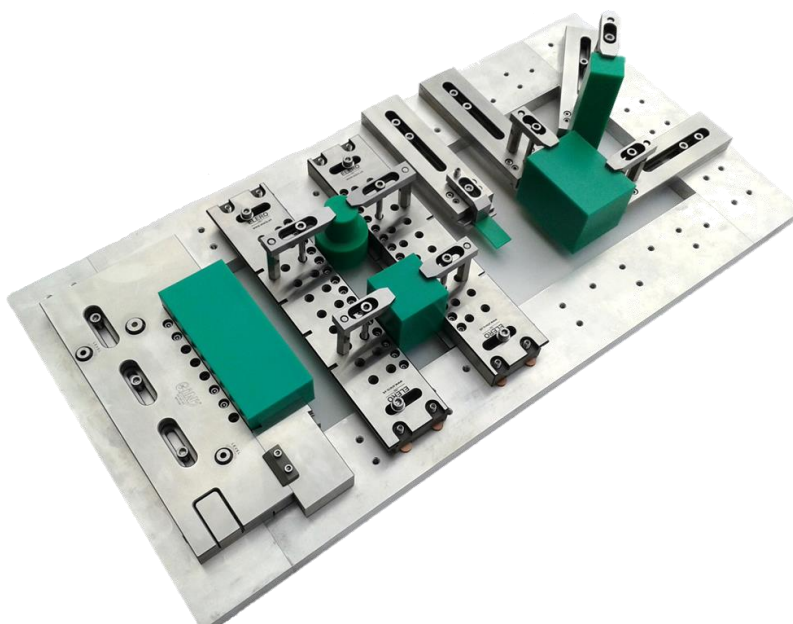
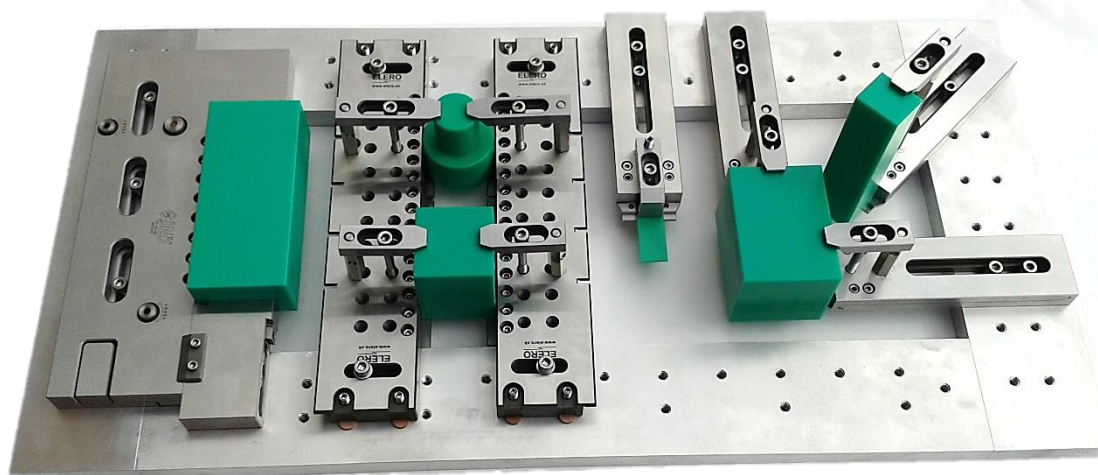
Item No.: HCSPSSM6L100
L=100mm - 8pcs

Item No.: PBSCSS

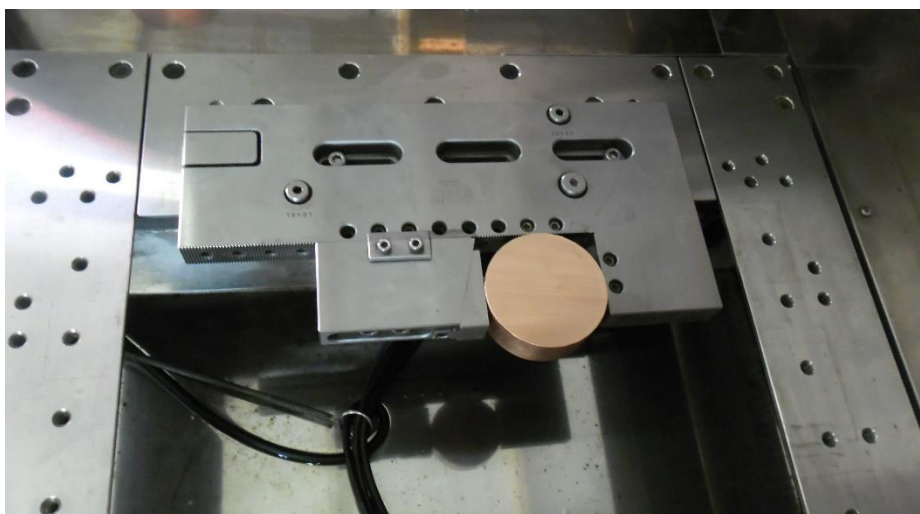
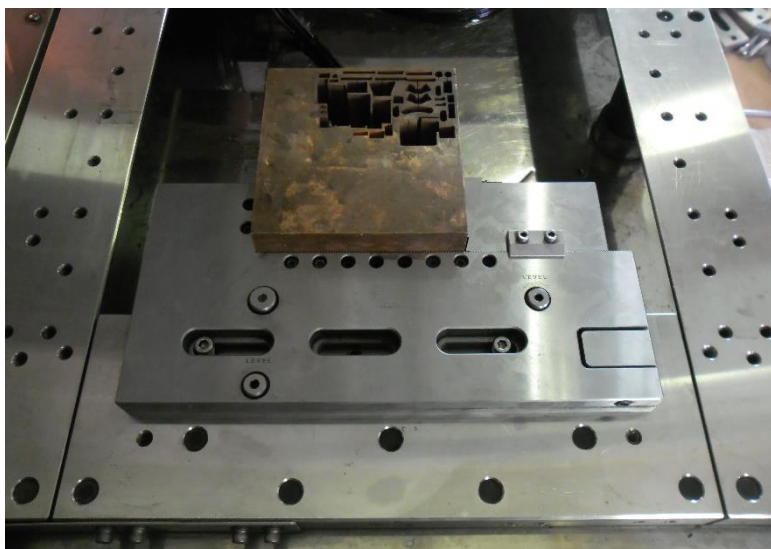
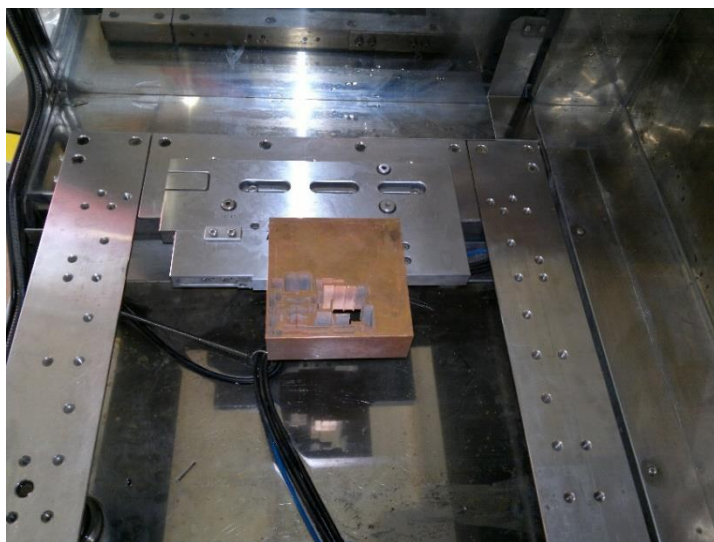
Plastic box for set of clamping elements stainless steel – empty, 290x340x205mm

Possible to order individual elements from set separately. We can provide different sizes of clamps and clamping screws with hexagon socket head in different lengths, diameters and in stainless finish.

High-precision clamping system for EDM wire cutters



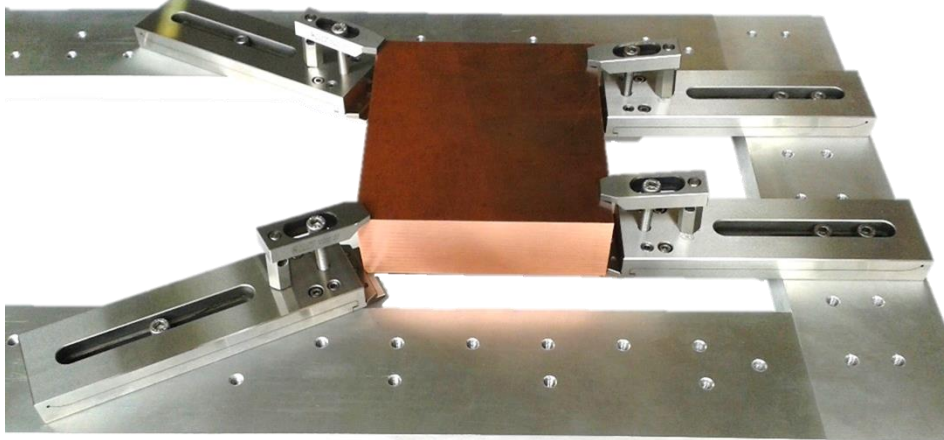
High-precision clamping system for EDM wire cutters



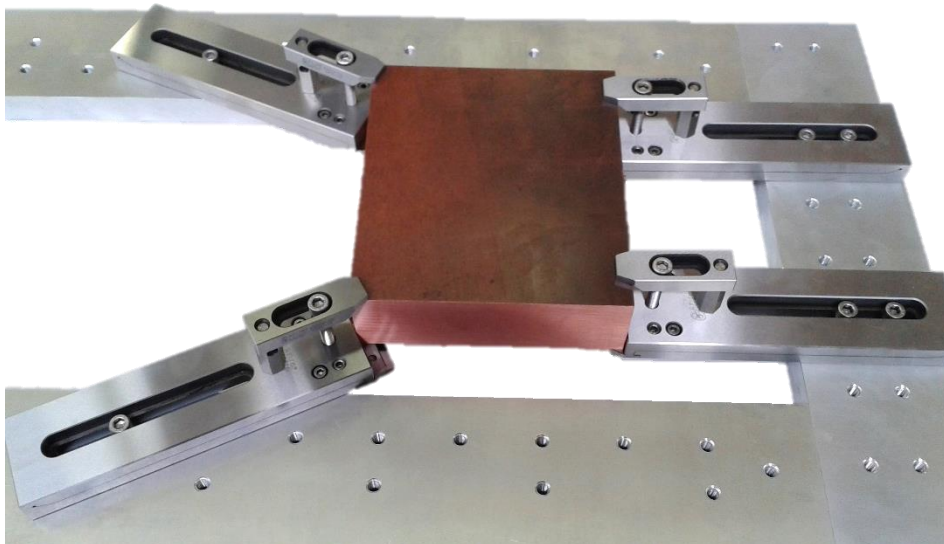
53145-02/WPV320

High-precision stainless steel vice with 3D micro adjusting in 3 axis, clamping range 0-190mm

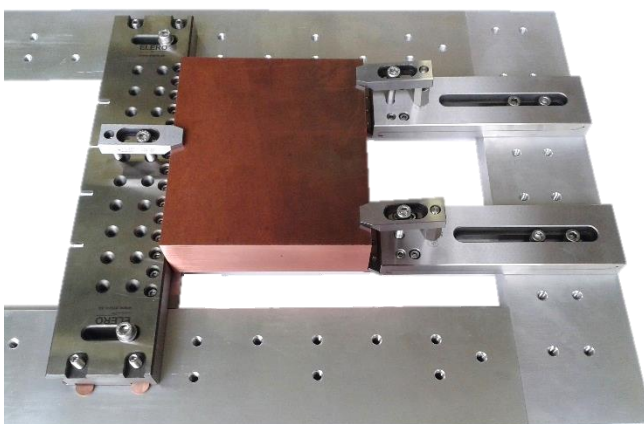
High-precision clamping system for EDM wire cutters



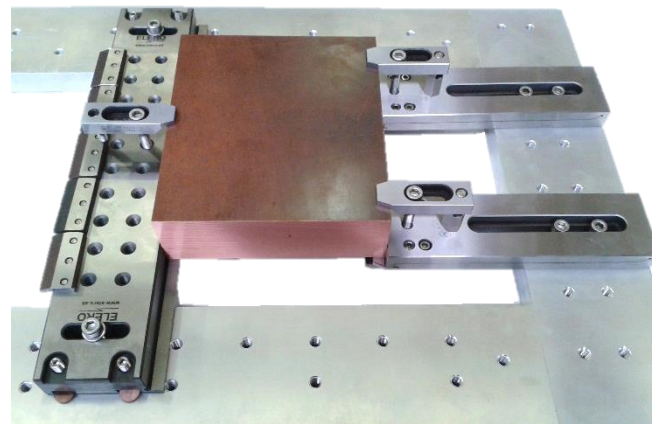
4x MACSS60X220 Adjustable clamp - stainless steel 60x220+5mm, M8, with micro adjusting, clamping in level Z=0mm



4x MACSS60X220 Adjustable clamp - stainless steel 60x220+5mm, M8, with micro adjusting, clamping in level Z=+5mm



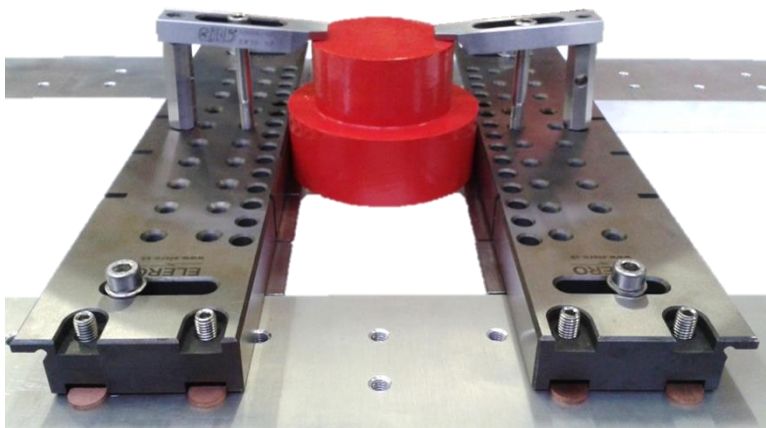
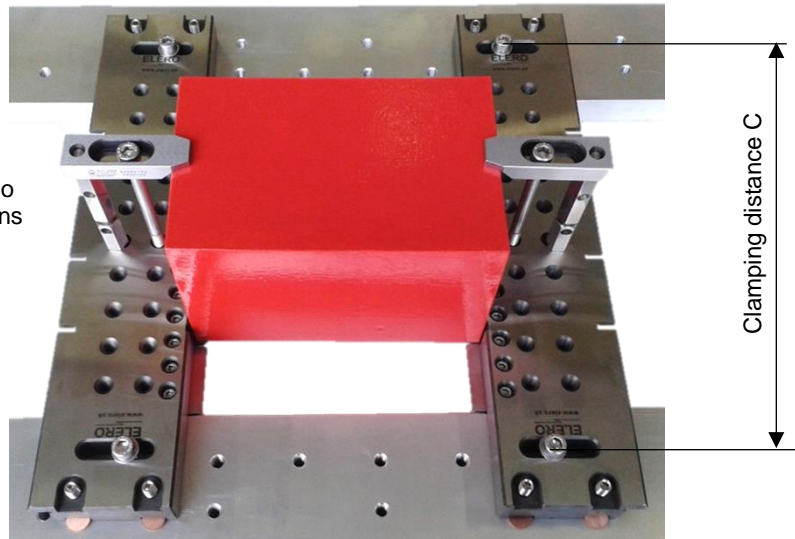
1x DSRSSM8 Double sided ruler stainless steel M8 resp. M6
+ 2x MACSS60X220 Adjustable clamp - stainless steel
60x220+5mm, M8, with micro adjusting, clamping in level
Z=0mm



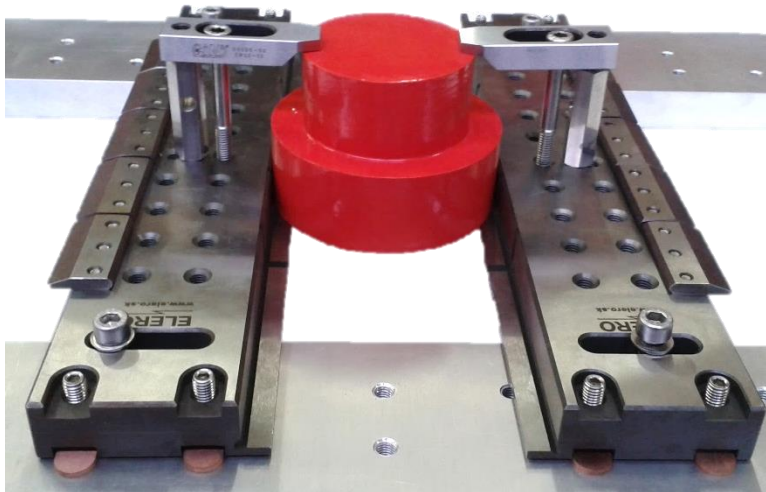
1x DSRSSM8 Double sided ruler stainless steel M8 resp. M6
+ 2x MACSS60X220 Adjustable clamp - stainless steel
60x220+5mm, M8, with micro adjusting, clamping in level
Z=+5mm

High-precision clamping system for EDM wire cutters

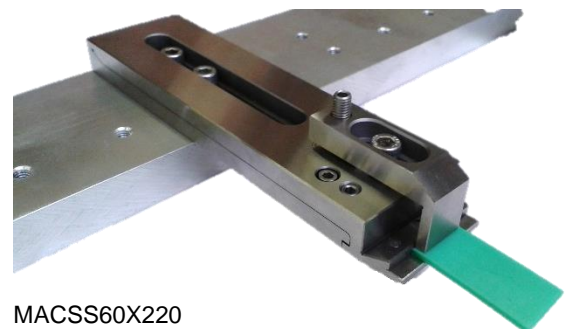
2x DSRSSM8 L mm
 Double sided ruler stainless steel Z=0mm also Z=+5mm, clamping distance C = to dimensions of EDM wire cutter working table, with micro-adjusting. Option M8, alternatively M6, ...



2x DSRSSM8 L mm
 Double sided ruler stainless with micro-adjusting.
 Option M8, alternatively M6, ...
 Clamping in level Z=0mm



2x DSRSSM8 L mm
 Double sided ruler stainless with micro-adjusting. Option M8,
 alternatively M6, ...
 Clamping in level Z=+5mm

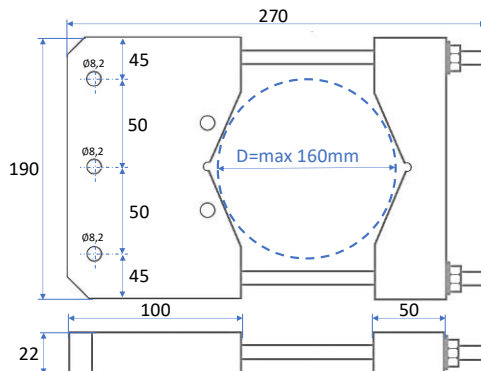
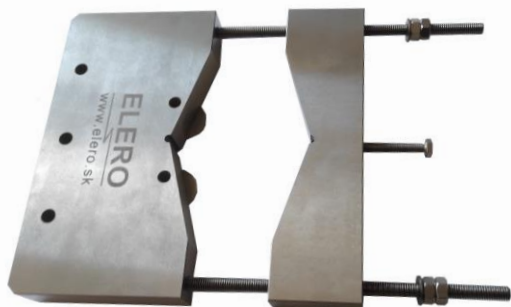


MACSS60X220
 Adjustable clamp - stainless steel 60x220+5mm,
 M8, with micro adjusting, Z=0 also Z=+5mm

High-precision clamping system for EDM wire cutters

Item No.: EL-T0160

Prism holder for round and square pieces. Clamping range $\varnothing 10-160\text{mm}$, $\square 160 \times 160\text{mm}$.
 Especially suitable for use in a vise 53145-02/WPV320 with the possibility of 3D micro-adjusting.
 Or it is possible to mount directly on the working table of wire cutting machines.



👍 It is among the 7 best-selling clamps for wire cutters

Item No.: EDM 6D 22

Retaining magnets with extreme force for EDM
 - coated against corrosion
 - dimensions of magnets: D22 x 9 mm (resp. D20 x 8mm)
 - set: 6 pcs of magnets in practical box

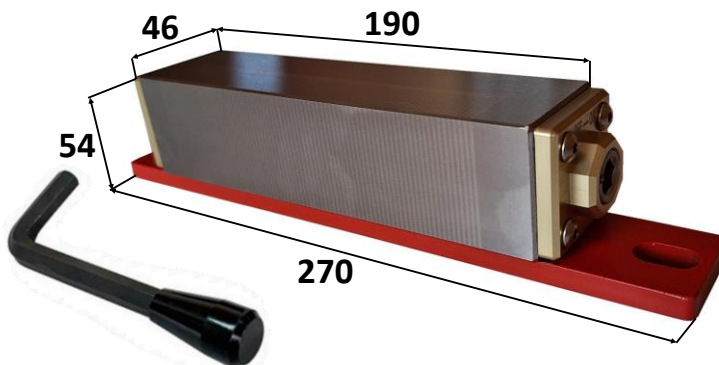


👍 It is among the 7 best-selling clamps for wire cutters

Item No.: 54060/MWL-C

- Permanent magnetic chuck for wire-cutting EDM
 - suitable also for work in water and in liquids

Units: mm	
Pole pitch	N.W.
2(1+1)	3,7kg



👍 It is among the 7 best-selling clamps for wire cutters

Item No.: EL-V0004

Dividing device with manual chuck, tilting $+90^\circ/-10^\circ$,
 with fine tuning 360° , ITS100 compatible with EROW.A



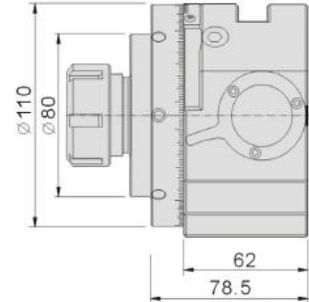
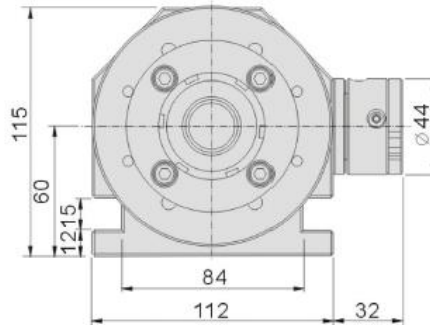
Item No.: EL-3MV0004

Dividing device with chuck ITS100, tilting $+90^\circ/-10^\circ$,
 with fine tuning 360° , compatible with 3-R

High-precision clamping system for EDM wire cutters

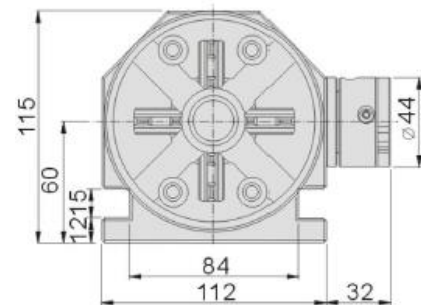
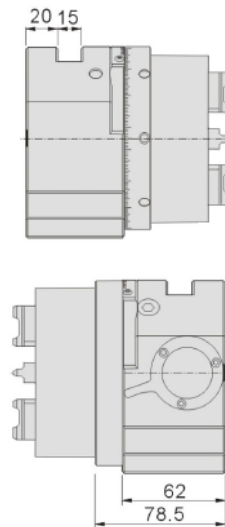
Item No.: 53210-04

Dividing device stainless steel with fine tuning 360°, with ER32 collets chuck.
 Possible to order also with ER20 or ER50 collets chuck. Clamping range Ø2,0- Ø34mm.



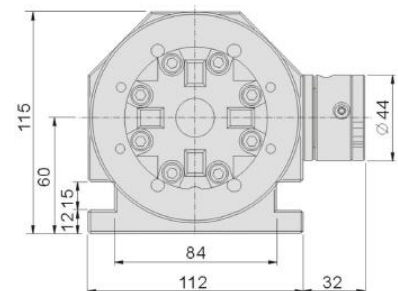
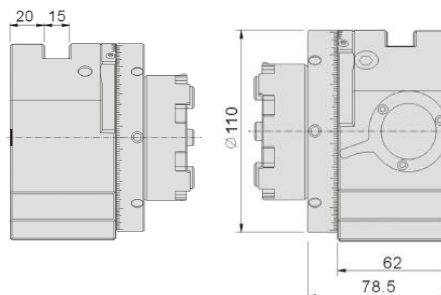
Item No.: 53210-10

Dividing device stainless steel, with manual quick chuck ITS100, with fine tuning 360°, compatible with EROW.A



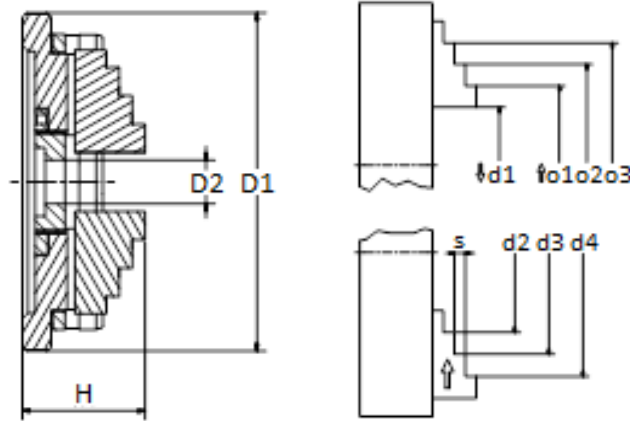
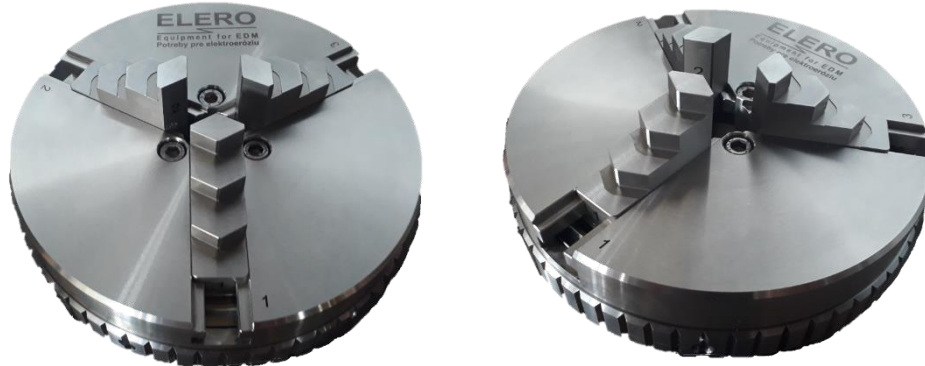
Item No.: 53210-08

Stainless dividing device with manual quick chuck 3-R, with fine tuning 360°, compatible with 3-R



High-precision clamping system for EDM wire cutters

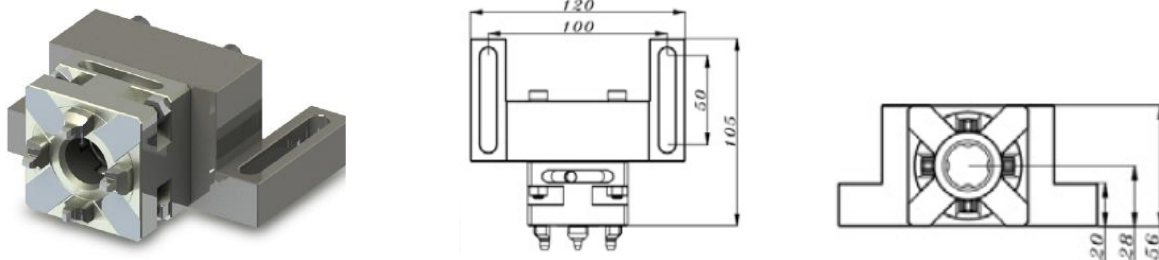
Stainless scroll chucks



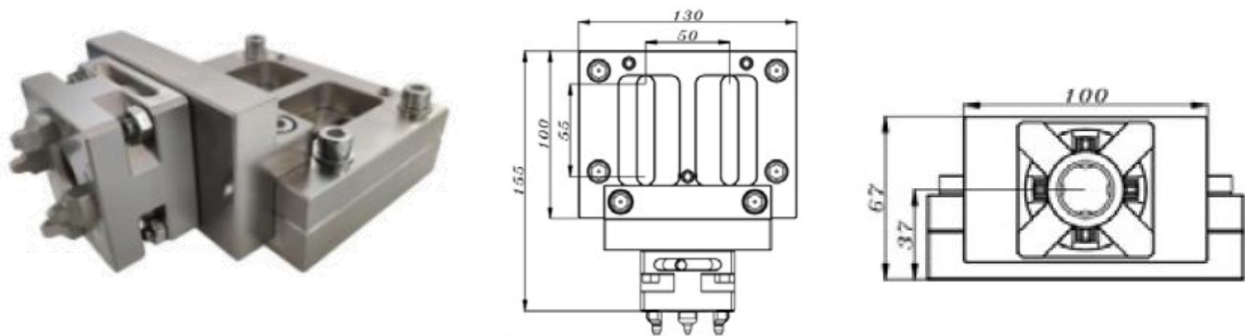
Item no.:	SSSC35	SSSC55	SSSC70	SSSC100	SSSC140	SSSC155	SSSC160
D1	35	55,5	69,5	119	138	153	159
D2	12	11	8,2	15,2	58	75	23
H	18,5	29,8	29,5	42,7	43,6	43,6	56,8
d1	1 – 14	1 – 16	1 – 20	1 – 40	1 – 58	1 – 75	1 - 56
d2	20 – 32	12 – 24	15,4 – 32	28 – 60	32 – 84	40 – 99	30 – 80
d3	-	22 – 34	27,4 – 44	48 – 80	62 – 114	60 – 129	58 – 108
d4	-	32 – 44	39,4 - 56	68 – 100	92 – 144	92 – 159	86 -136
s	4,5	3	3	4,5	4,5	4,5	7
o1	11-23	13 – 28	12 – 32	20 – 60	24 – 68	24 – 83	24 – 68
o2	-	23 – 38	24 - 44	40 – 80	54 – 98	54 – 113	52 – 110
o3	-	33 – 48	36 - 56	68 – 100	84 – 128	84 – 143	84 – 128
Weight	85g	280g	380g	1,6kg	2,2kg	2,6kg	5kg
Jaws	Stainless, hardened, reversible, grinded Also possible to order 4-jaws stainless scroll chucks						
Flange	Custom made according to customer's request.						

High-precision clamping system for EDM wire cutters

Item No.: EL-T0003 Manual quick chuck ITS50 for wire cutting EDM compatible with EROW.A
EL-3MT003 Manual quick chuck for wire cutting EDM compatible with 3-R



Item No.: EL-T0004 Manual quick chuck ITS50 for wire cutting EDM with micro-adjustable function compatible with EROW.A



Item No.: EL-T0004-1 Manual quick chuck ITS100 for wire cutting EDM with micro-adjustable function compatible with EROW.A



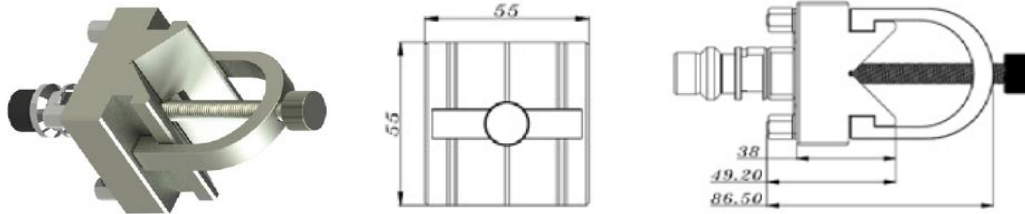
Item No.: EL-3MT004 Manual quick chuck for wire cutting EDM with micro-adjustable function compatible with 3-R



High-precision clamping system for EDM wire cutters

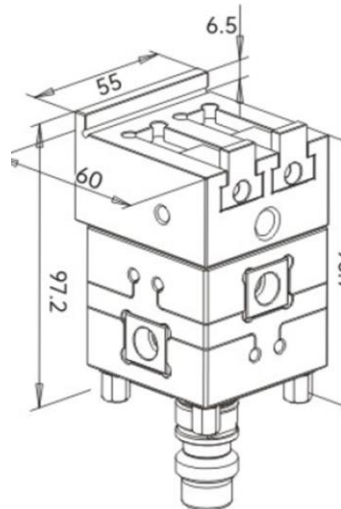
Item No.: EL-T0001 V shape wire cut EDM holder ITS50, compatible with EROW.A

EL-3MT0001 V shape wire cut EDM holder, compatible with 3-R



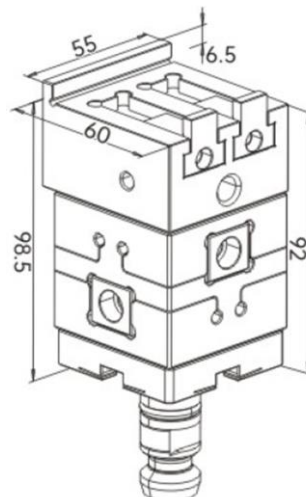
Item No.: EL-T0002

3-axes high precision vise – pendulum, compatible with EROW.A
With microadjusting in 3axis, clamping range 0-100mm,
angle setting 0-360



Item No.: EL-3MT0002

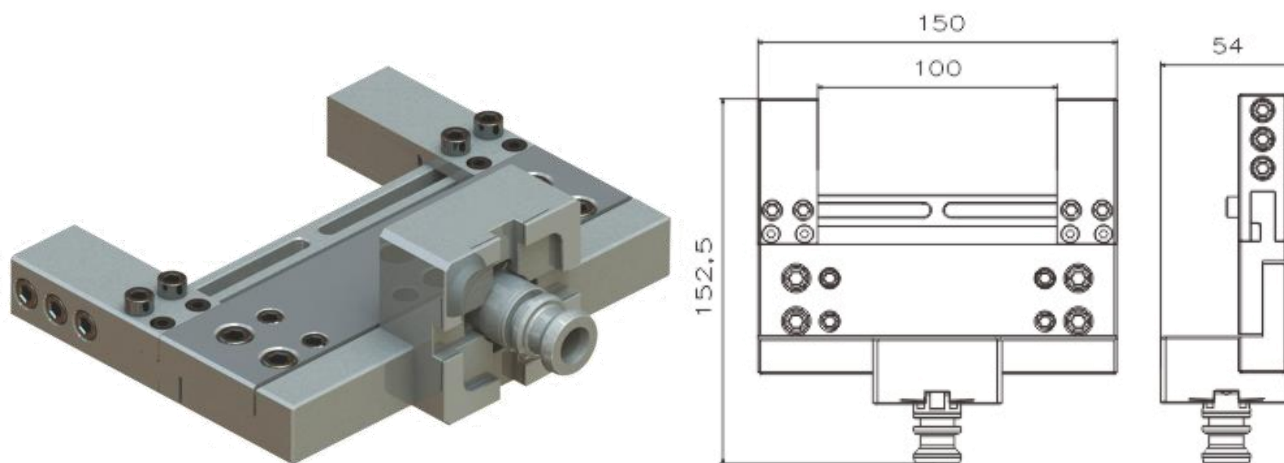
3-axes high precision vise – pendulum, compatible with 3-R
With microadjusting in 3axis, clamping range 0-100mm,
angle setting 0-360°



High-precision clamping system for EDM wire cutters

Item No.: EL-T0005 WEDM vise 0-100mm, compatible with EROW.A

Item No.: EL-3MT0005 WEDM vise 0-100mm, compatible with 3-R



Item No.: EL-T0006 WEDM vise 0-150mm, compatible with EROW.A

Item No.: EL-3MT0006 WEDM vise 0-150mm, compatible with 3-R

